

## AT-T24-Series

### SPECIFICATION

- Electrical Rating : 15A 125V AC (Resistive Load)  
10A 250V AC (Resistive Load)  
16A 250V AC (Resistive Load)
- Operating Temp. : 50 ~ 175°C (UL / cUL 205°C)
- Differential : 10 ~ 30K (15K Standard)
- Temp. Tolerance : Operating Temp. ± 3K ±5K
- Heat Durability : 220°C Max. (PPS)
- Circuit Resistance : 50MΩ Max.
- Insulation Resistance : 100MΩ Min. at DC 500V
- Dielectric Strength : AC 1000V for One Minute.  
Or AC 1800V for One Second.
- Operating Life : 100.000 Cycles (15A 125V / 10A 250V AC)  
10.000 Cycles (16A 250V AC)
- Weight : 5,2g Max.

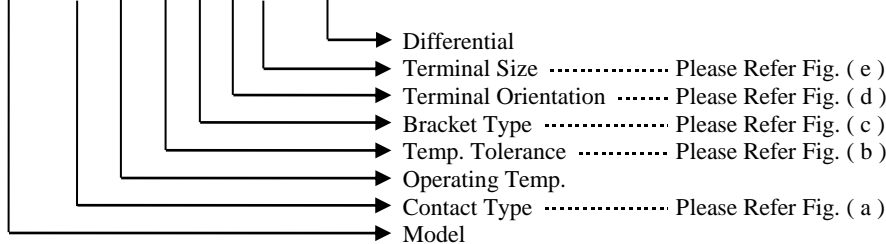


4A-BF2

### HOW TO ORDER

ORDER CODE (FULL CODE)

**AT-T24 A 110 B B F 2 - 15**

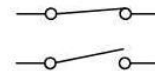


### (a) CONTACT TYPE :

A = Contact Opens When Temperature Rises to Set Point (Normally Closed)

B = Contact Closes When Temperature Rises to Set Point (Normally Open)

M = Manual Reset



### (b) TEMP. TOLERANCE :

(\* = STANDARD)

Grade	A	*B
Action ± °C	3	5
Reset ± °C	4	8

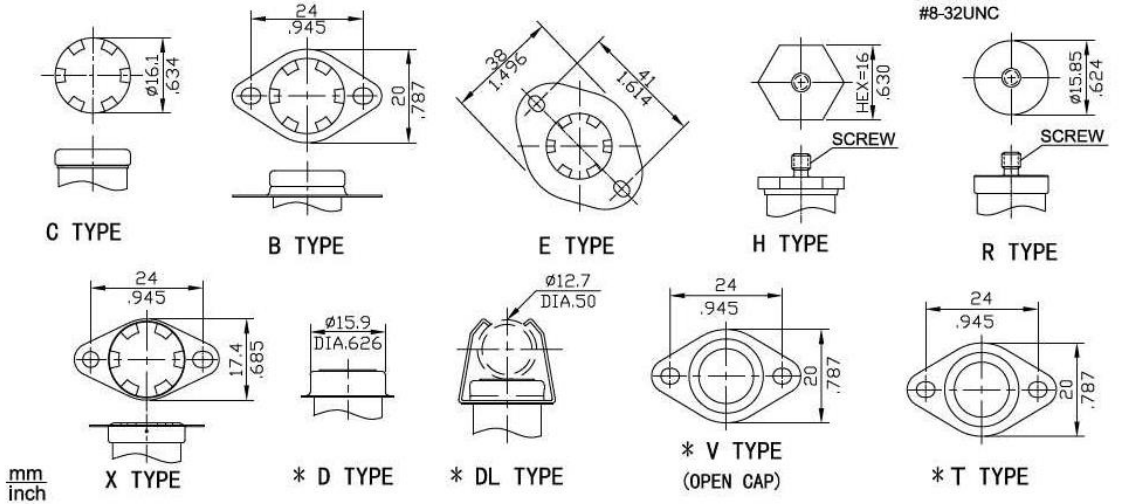
- The Grade of Temp. Tolerance is "A", When The Operating Temp. is Less Than 105°C.
- The Grade of Temp. Tolerance is "B", When The Operating Temp. is Over 106°C.

## (c) BRACKET TYPE :

### ● FIXED BRACKET

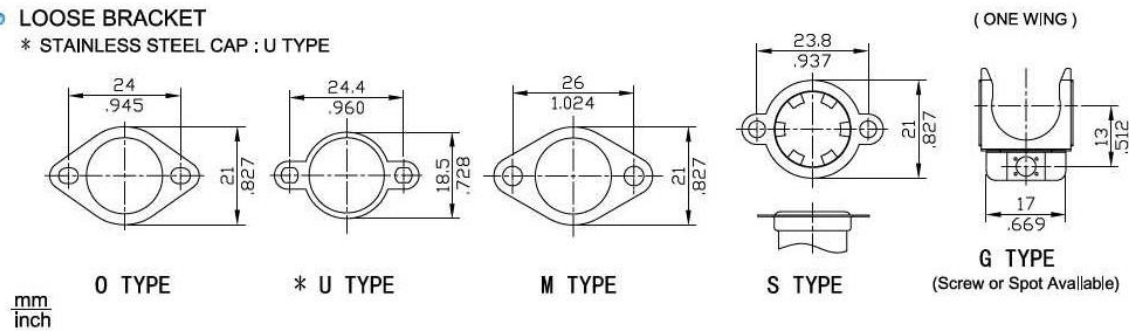
\* STAINLESS STEEL CAP : D,DL,V,T TYPE

SCREW TYPE : M4x0.7 L:6mm (STD)  
M5x0.8 L:6mm (STD)  
#6-32UNC  
#8-32UNC

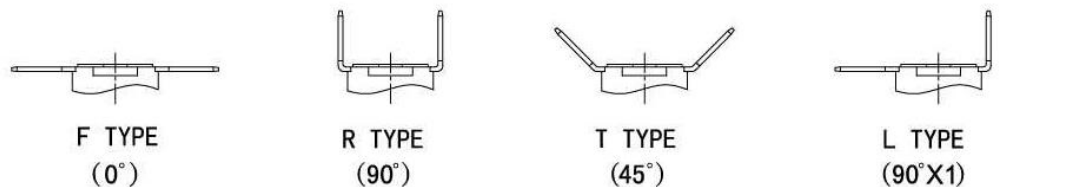


### ● LOOSE BRACKET

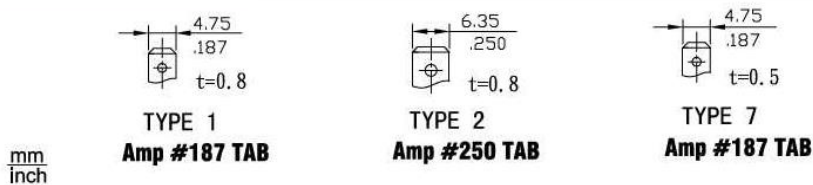
\* STAINLESS STEEL CAP : U TYPE



## (d) TERMINAL ORIENTATION :



## (e) TERMINAL SIZE :



## Examples of the specification of the AT-T24-Series

Changes and errors excepted

06 / 2014

**Alpha Therm GmbH**

Gewerbering 7

68723 Plankstadt

Tel: +49 (0) 6202 / 575688 - 0

E-Mail: [sales@alpha-therm.de](mailto:sales@alpha-therm.de)

Fax: +49 (0) 6202 / 575688 - 10

Web: [www.alpha-therm.com](http://www.alpha-therm.com)