

Gas Discharge Tube: G16D5A Series *α Therm*

2-Electrode $\Phi 15.5 \times T5\text{mm}$ Type

■ Features

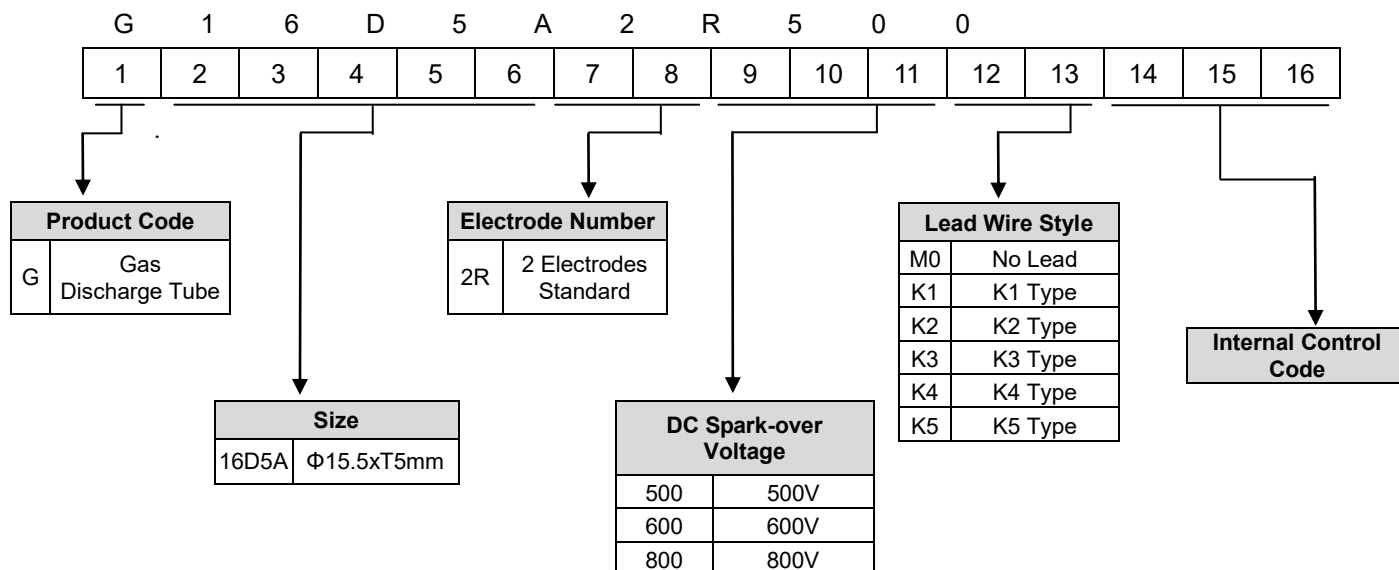
1. RoHS & HF compliant
2. Rugged ceramic-metal construction
3. DC spark-over voltage: 500~800V
4. Follow current at 50/60Hz: 100A
5. Max continuous operating voltage at 50/60Hz: 255V
6. Operating temperature: $-40^{\circ}\text{C} \sim +85^{\circ}\text{C}$
7. Storage temperature: $-40^{\circ}\text{C} \sim +115^{\circ}\text{C}$



■ Recommended Applications

1. Power system
2. Industrial equipment
3. SPD module

■ Part Number Code



Gas Discharge Tube: G16D5A Series *α Therm*

2-Electrode $\Phi 15.5 \times T5\text{mm}$ Type

■ Characteristics

Part No.	DC Spark-over Voltage	Max. Impulse Discharge Current (8/20 μ s)		Maximum Impulse Breakdown Voltage	Follow Current	Max Continuous Operating Voltage	Minimum Insulation Resistance (G Ω)	Maximum Breakdown Time (ns)	Safety Approvals
	100V/S	1 time	10 times	1.2/50us 6KV	50/60Hz	50/60Hz			
	(V)	(KA)		(V)	(A)	(V)			
G16D5A2R500□□	400-600	40	20	1300	100 ⁽¹⁾	255 ⁽¹⁾	1	100	√
G16D5A 2R600□□	480-720			1400	100 ⁽¹⁾	255 ⁽¹⁾			√
G16D5A 2R800□□	640-960			1500	100 ⁽¹⁾	255 ⁽¹⁾			√

Note 1: The □□ is style of lead wire.

Note 2: UL 1449 4th File No: E314979.

Note 3: (1) K3 product does not contain.

Note 4: Insulation resistance test conditions:

DC Spark-over Voltage	DC Measuring Voltage
500-800V	250V

■ Dimension

(Unit: mm)

Figure 1

M0 : No Lead

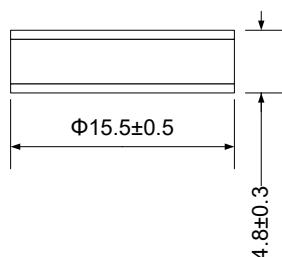
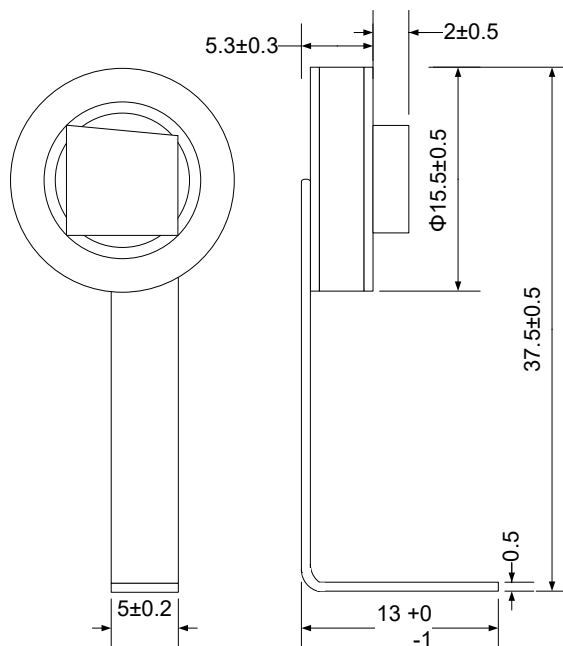


Figure 2

K1:K1 Type



Gas Discharge Tube: G16D5A Series *α Therm*

2-Electrode $\Phi 15.5 \times T5\text{mm}$ Type

Figure 3
K2:K2Type

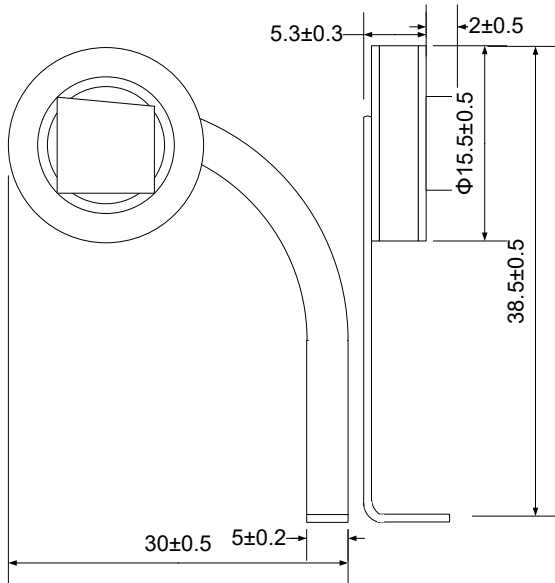


Figure 4
K3:K3 Type

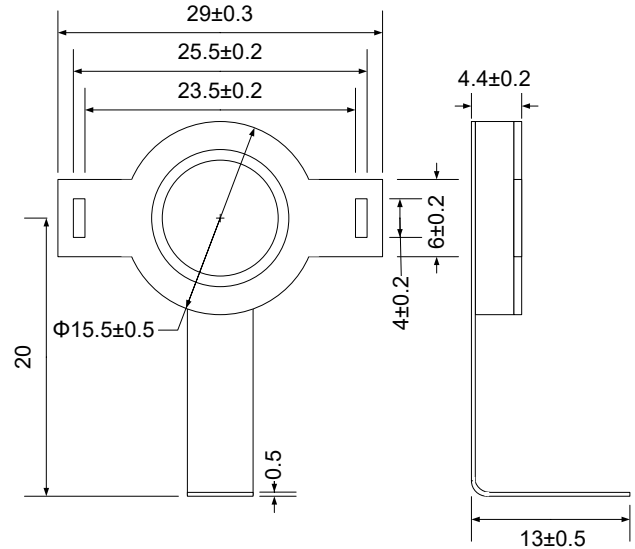


Figure 5
K4:K4 Type

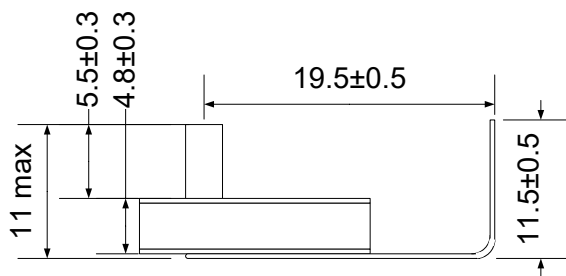
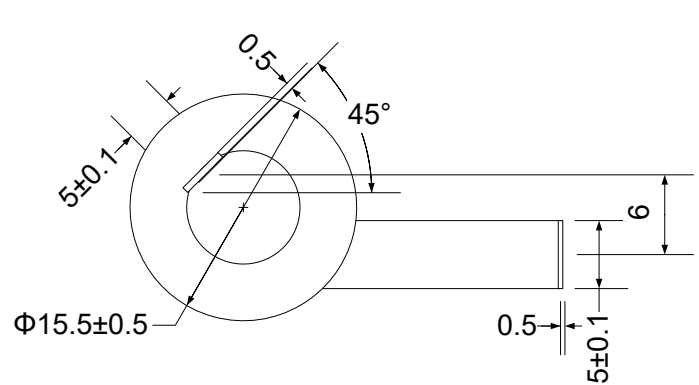
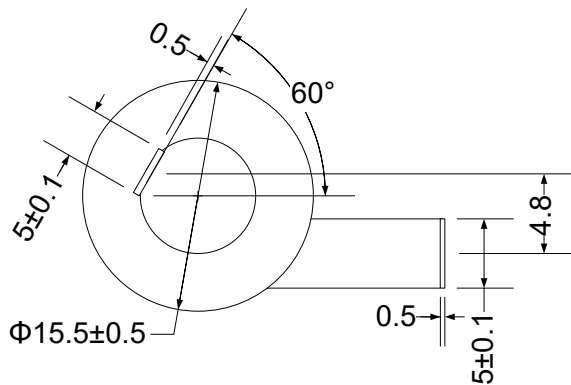
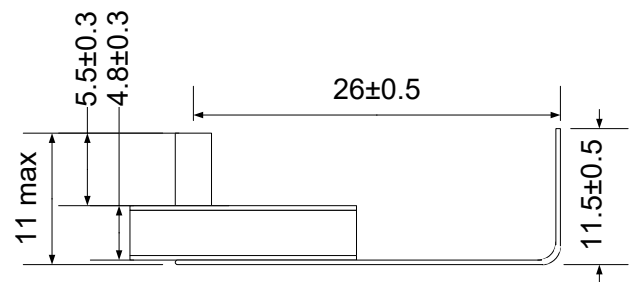


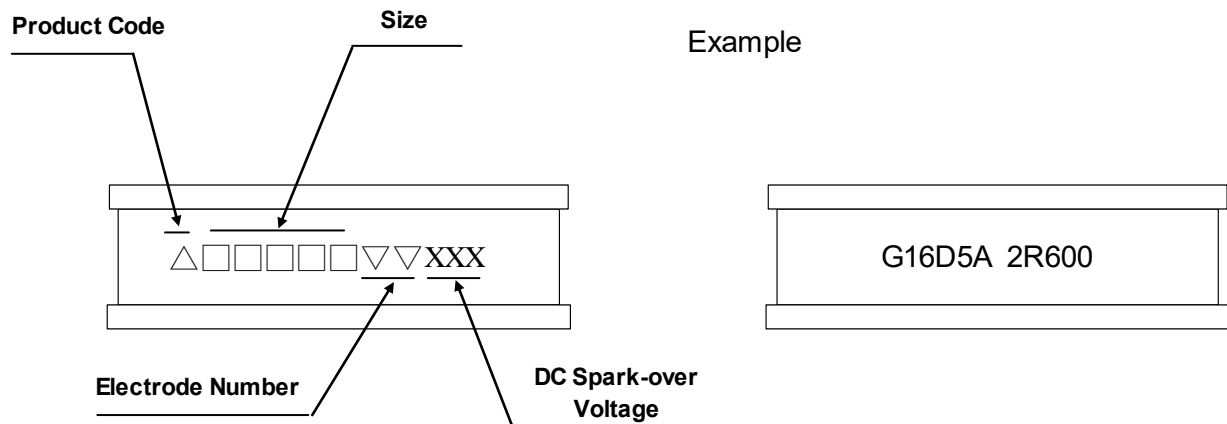
Figure 6
K5:K5 Type



Gas Discharge Tube: G16D5A Series *α Therm*

2-Electrode $\Phi 15.5 \times T5\text{mm}$ Type

■ Marking



■ Packaging

- Bulk

■ Warehouse Storage Conditions of Products

- Storage Conditions:
 1. Storage Temperature: $-10^{\circ}\text{C} \sim +40^{\circ}\text{C}$
 2. Relative Humidity: $\leq 75\% \text{RH}$
 3. Keep away from corrosive atmosphere and sunlight.
- Period of Storage: 1 year