

# Gas Discharge Tube: G25D10-H Series *alpha Therm*

## 2-Electrode $\Phi 25$ x T10mm High Surge Type

### ■ Features

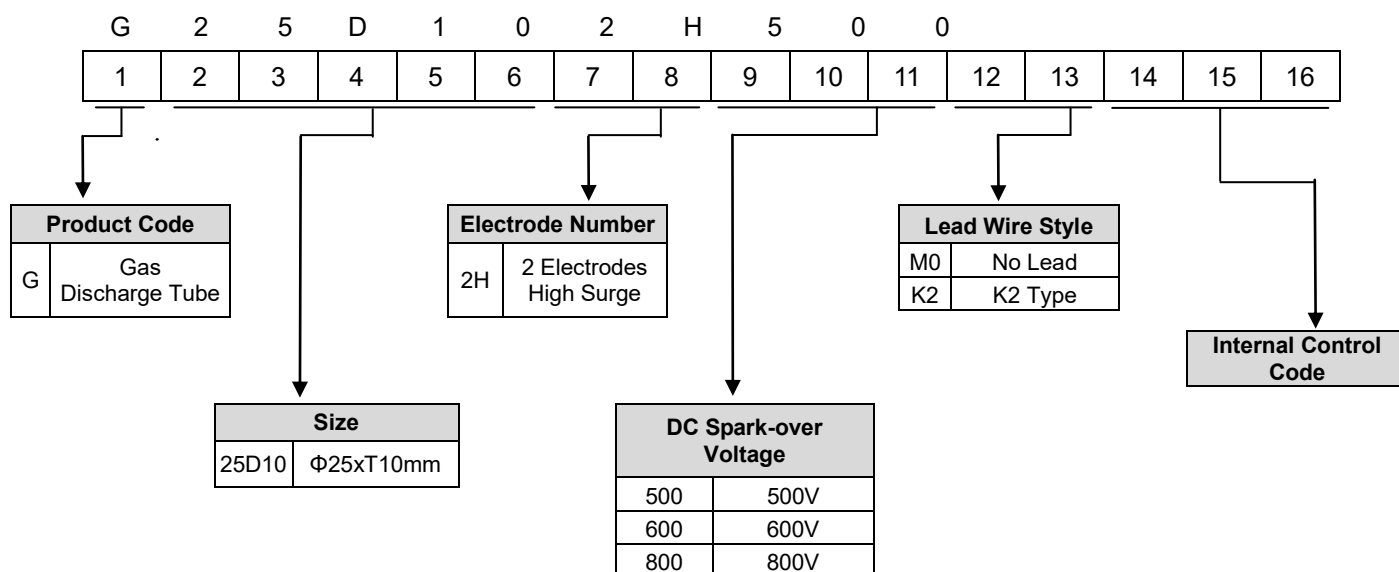
1. RoHS & HF compliant
2. Rugged ceramic-metal construction
3. DC spark-over voltage: 500~800V
4. Follow current at 50/60Hz: 100A
5. Max continuous operating voltage at 50/60Hz: 255V
6. Operating temperature:  $-40^{\circ}\text{C} \sim +85^{\circ}\text{C}$   
Storage temperature:  $-40^{\circ}\text{C} \sim +115^{\circ}\text{C}$



### ■ Recommended Applications

1. Power system
2. Industrial equipment
3. SPD module

### ■ Part Number Code



# Gas Discharge Tube: G25D10-H Series *Alpha Therm*

## 2-Electrode $\Phi 25$ x T10mm High Surge Type

### ■ Characteristics

Part No.	DC Spark-over Voltage	Max. Impulse Discharge Current (8/20 $\mu$ s)		Maximum Impulse Breakdown Voltage	Follow Current	Max Continuous Operating Voltage	Minimum Insulation Resistance	Maximum Breakdown Time
	100V/S	1 time	10 times	1.2/50 $\mu$ s 6KV	50/60Hz	50/60Hz		
	(V)	(KA)		(V)	(A)	(V)	(G $\Omega$ )	(ns)
G25D102H500□□	400-600	120	80	1300	100	255	1	100
G25D102H600□□	450-720			1400	100	255		
G25D102H800□□	640-960			1500	100	255		

Note 1: The □□ is style of lead wire.

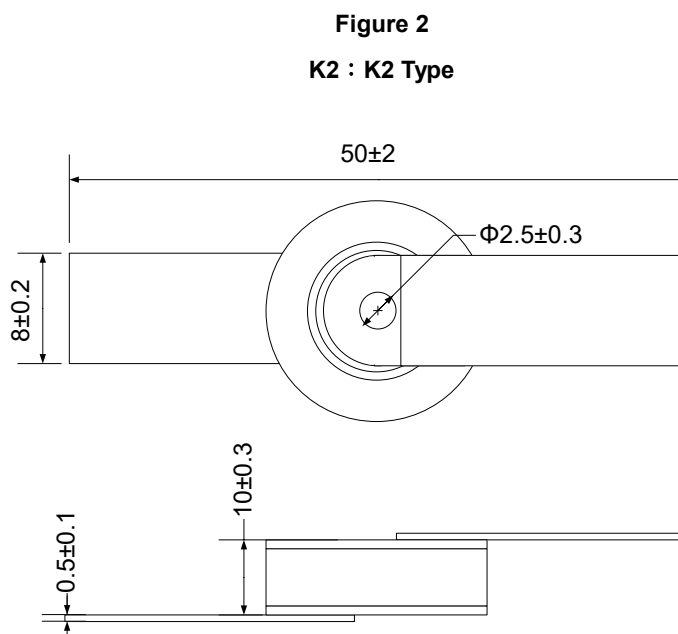
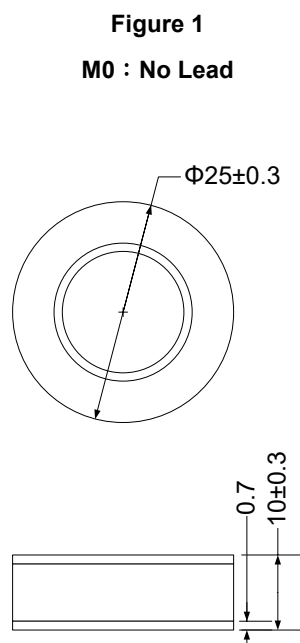
Note 2: UL 1449 4th Pending.

Note 3: Insulation resistance test conditions:

DC Spark-over Voltage	DC Measuring Voltage
500-800V	250V

### ■ Dimension

(Unit: mm)

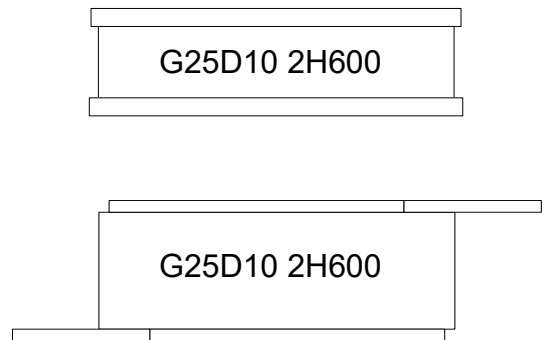
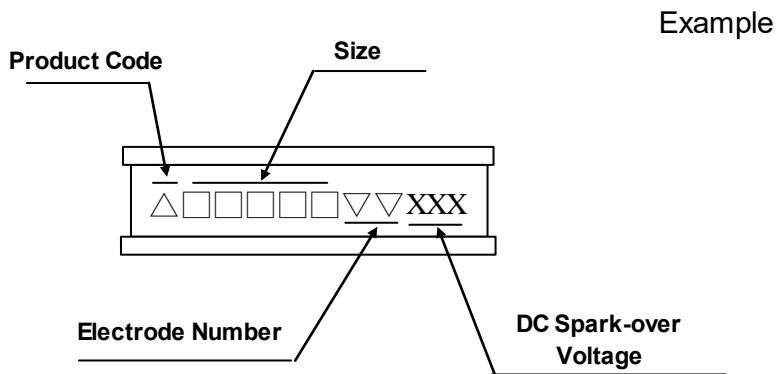


# Gas Discharge Tube: G25D10-H Series *α Therm*

## 2-Electrode Φ25 x T10mm High Surge Type

---

### ■ Marking



### ■ Packaging

- Bulk

### ■ Warehouse Storage Conditions of Products

- Storage Conditions:
  1. Storage Temperature:  $-10^{\circ}\text{C} \sim +40^{\circ}\text{C}$
  2. Relative Humidity:  $\leq 75\% \text{RH}$
  3. Keep away from corrosive atmosphere and sunlight.
- Period of Storage: 1 year