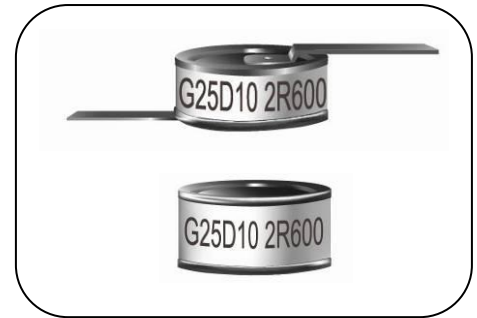


# Gas Discharge Tube: G25D10 Series *α Therm*

## 2-Electrode $\Phi 25$ x T10mm Type

### ■ Features

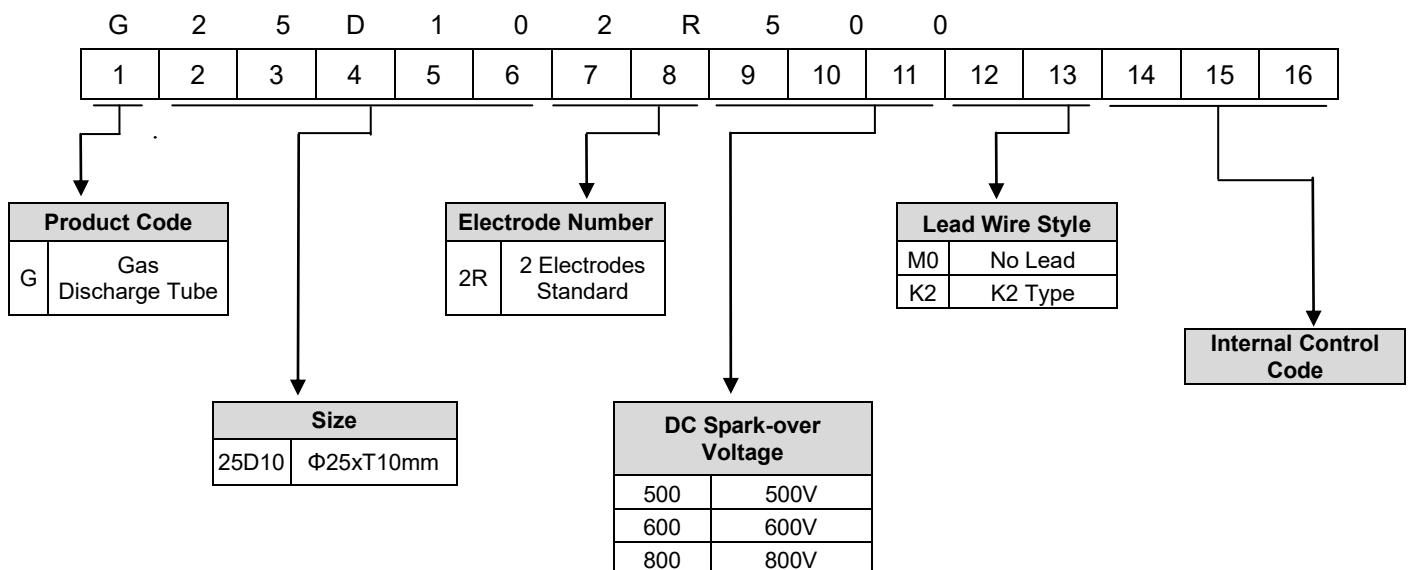
1. RoHS & HF compliant
2. Rugged ceramic-metal construction
3. DC spark-over voltage: 500~800V
4. Follow current at 50/60Hz: 100A
5. Max continuous operating voltage at 50/60Hz: 255V
6. Operating temperature:  $-40^{\circ}\text{C} \sim +85^{\circ}\text{C}$   
Storage temperature:  $-40^{\circ}\text{C} \sim +115^{\circ}\text{C}$



### ■ Recommended Applications

4. Power system
5. Industrial equipment
6. SPD module

### ■ Part Number Code



# Gas Discharge Tube: G25D10 Series *α Therm*

## 2-Electrode $\Phi 25$ x T10mm Type

### ■ Characteristics

Part No.	DC Spark-over Voltage	Max. Impulse Discharge Current (8/20 $\mu$ s)		Maximum Impulse Breakdown Voltage	Follow Current	Max Continuous Operating Voltage	Minimum Insulation Resistance (G $\Omega$ )	Maximum Breakdown Time (ns)	Safety Approvals UL 1449/cUL
	100V/S	1 time	10 times	1.2/50 $\mu$ s 6KV	50/60Hz	50/60Hz			
	(V)	(KA)		(V)	(A)	(V)			
G25D102R500□□	400-600	80	60	1300	100	255	1	100	√
G25D102R600□□	450-720			1400	100	255			√
G25D102R800□□	640-960			1500	100	255			√

Note 1: The □□ is style of lead wire.

Note 2: UL 1449 4th File No: E314979.

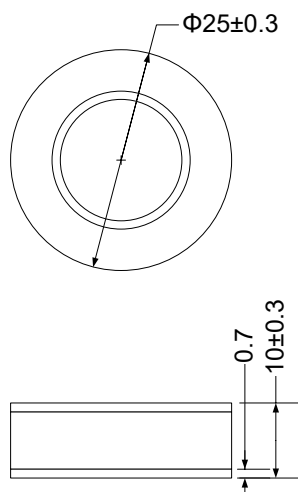
Note 3: Insulation resistance test conditions:

DC Spark-over Voltage	DC Measuring Voltage
500-800V	250V

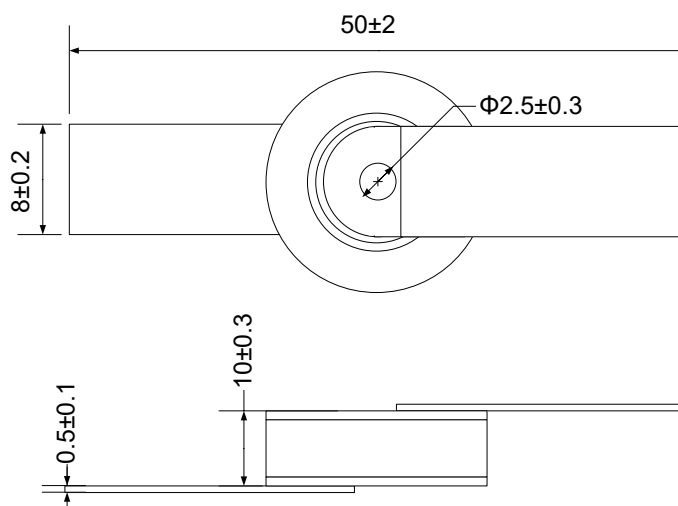
### ■ Dimension

(Unit: mm)

**Figure 1**  
M0 : No Lead



**Figure 2**  
K2 : K2 Type

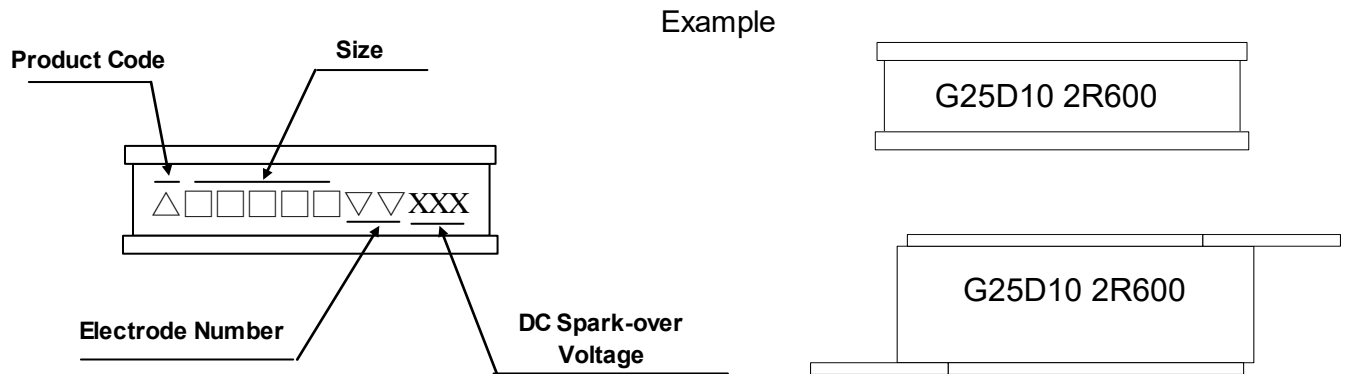


# Gas Discharge Tube: G25D10 Series *α Therm*

## 2-Electrode Φ25 x T10mm Type

---

### ■ Marking



### ■ Packaging

- Bulk

### ■ Warehouse Storage Conditions of Products

- Storage Conditions:
  1. Storage Temperature:  $-10^{\circ}\text{C} \sim +40^{\circ}\text{C}$
  2. Relative Humidity:  $\leq 75\% \text{RH}$
  3. Keep away from corrosive atmosphere and sunlight.
- Period of Storage: 1 year