

Gas Discharge Tube: G25D21 Series *α Therm*

2-Electrode Φ25 x T21mm High Surge Type

■ Features

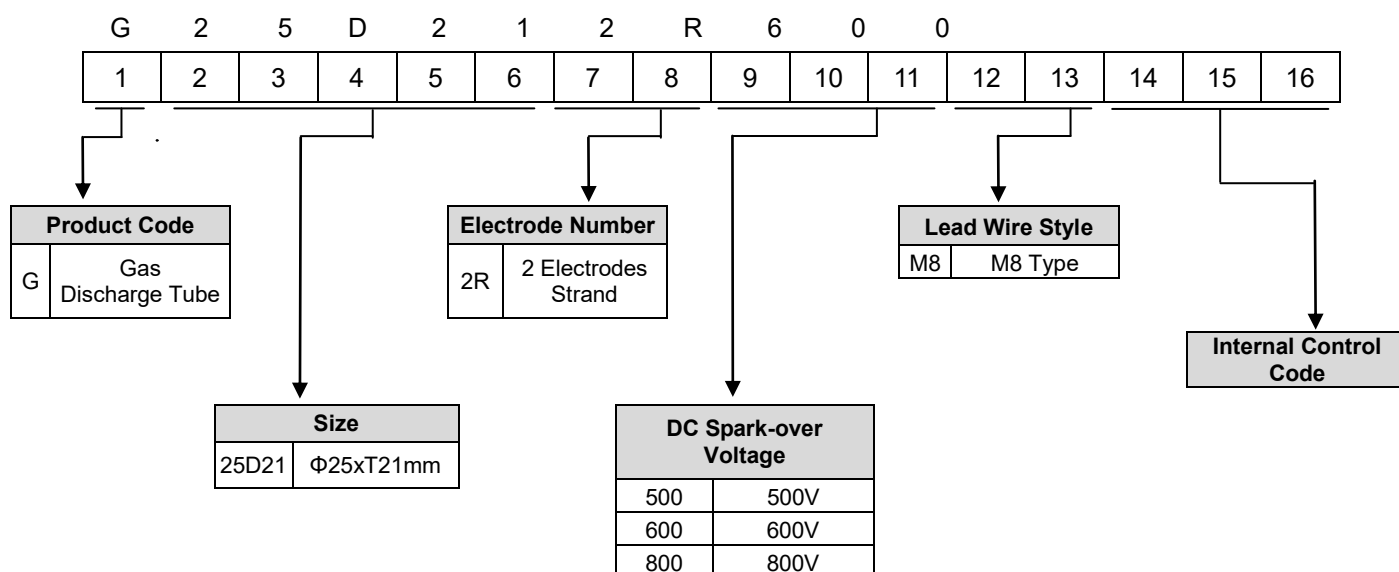
1. RoHS & HF compliant
2. Rugged ceramic-metal construction
3. DC spark-over voltage: 500~800V
4. Follow current at 50/60Hz: 100A
5. Max continuous operating voltage at 50/60Hz: 260V
6. Operating temperature: -40°C ~ +85°C
Storage temperature: -40°C ~ +115°C



■ Recommended Applications

1. Power system
2. Industrial equipment
3. SPD module

■ Part Number Code



Gas Discharge Tube: G25D21 Series *α Therm*

2-Electrode $\Phi 25$ x T21mm High Surge Type

■ Characteristics

Part No.	DC Spark-over Voltage	Max. Impulse Discharge Current (8/20 μ s)		Max. Impulse Discharge Current (10/350 μ s)	Maximum Impulse Breakdown Voltage	Follow Current	Max Continuous Operating Voltage	Maximum Capacitance	Minimum Insulation Resistance	Maximum Breakdown Time
	100V/S	1 time	10 times	1 time	1.2/50us 6KV	50/60Hz	50/60Hz	(1MHz)	(G Ω)	(ns)
	(V)	(KA)		(KA)	(V)	(A)	(V)	(pF)		
G25D212R500□□	400-600	160	80	25	1100	100	260	4	1	100
G25D212R600□□	480-720				1400	100	260			
G25D212R800□□	640-960				1500	100	260			

Note 1: The □□ is the style of lead wire.

Note 2: UL 1449 4th Pending.

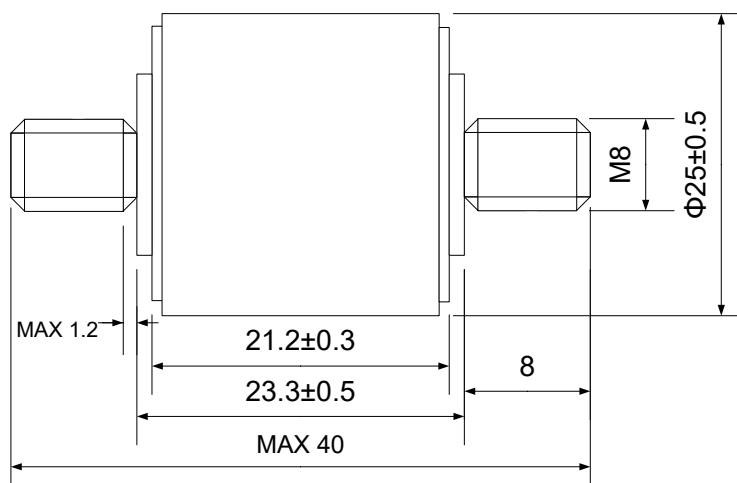
Note 3: Insulation resistance test conditions:

DC Spark-over Voltage	DC Measuring Voltage
500-800V	250V

■ Dimension

(Unit: mm)

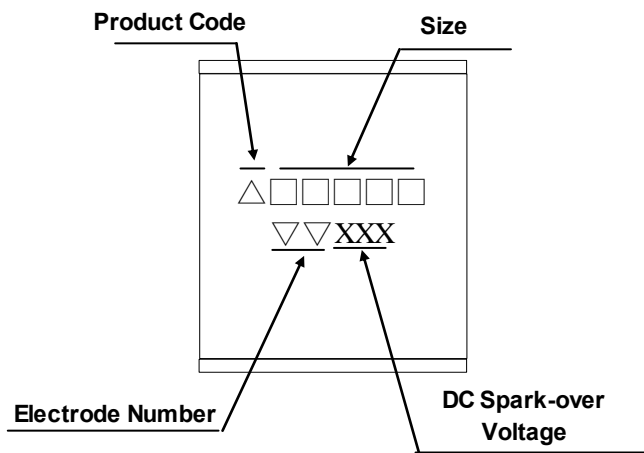
Figure 1
M8 : M8 Type



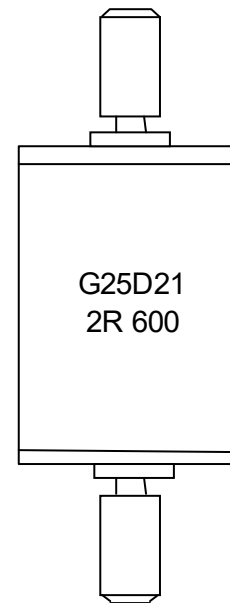
Gas Discharge Tube: G25D21 Series *α Therm*

2-Electrode Φ25 x T21mm High Surge Type

■ Marking



Example



■ Packaging

- Bulk

■ Warehouse Storage Conditions of Products

- Storage Conditions:
 1. Storage Temperature: $-10^{\circ}\text{C} \sim +40^{\circ}\text{C}$
 2. Relative Humidity: $\leq 75\% \text{RH}$
 3. Keep away from corrosive atmosphere and sunlight.
- Period of Storage: 1 year