

## 2-Electrode $\Phi 8.0 \times T6$ mm Type

### ■ Features

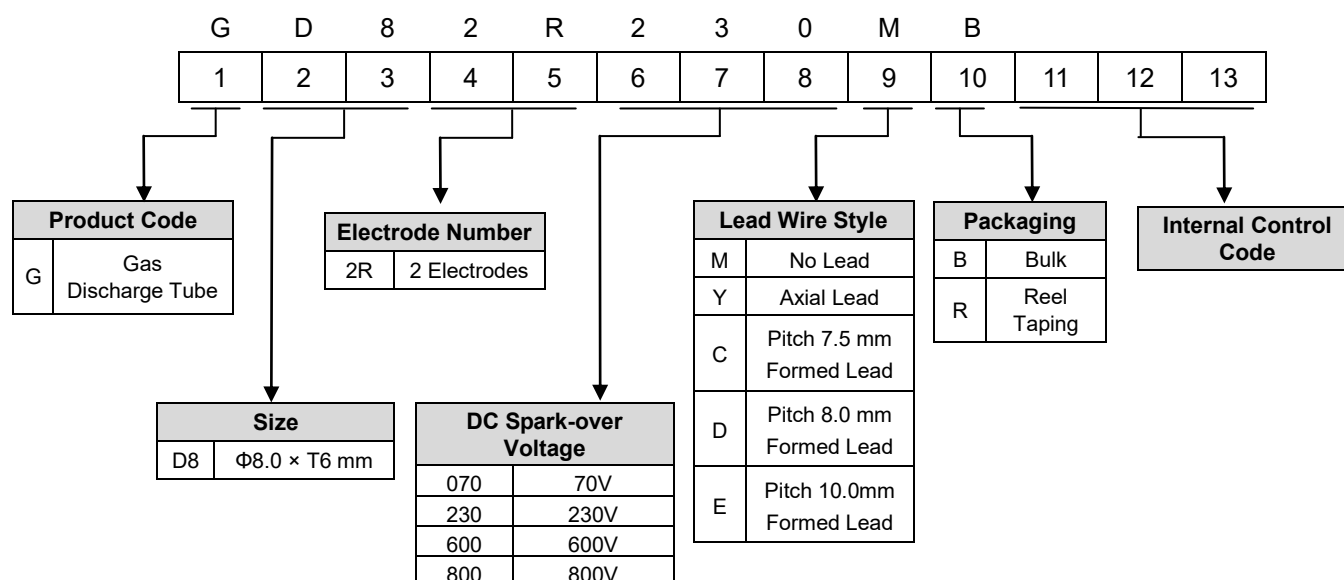
1. RoHS & HF compliant
2. Rugged ceramic-metal construction
3. Available with or without leads
4. DC spark-over voltage: 70~800V
5. Low capacitance
6. Agency recognition: UL / cUL
7. Operating temperature:  $-40^{\circ}\text{C} \sim +85^{\circ}\text{C}$   
Storage temperature:  $-40^{\circ}\text{C} \sim +115^{\circ}\text{C}$



### ■ Recommended Applications

1. Cable modem
2. xDSL
3. Set-top box
4. TV sets
5. Power supply
6. Consumer electronics

### ■ Part Number Code



# Gas Discharge Tube: GD8 Series

## 2-Electrode $\Phi 8.0$ x T6 mm Type

### ■ Characteristics

Part No.	DC Spark-over Voltage	Max. Impulse Breakdown Voltage		Max. Impulse Discharge Current (8/20 $\mu$ s)		Impulse Life (10/1000 $\mu$ s)	Normal Alternating Discharge Current	DC Holdover Voltage	Minimum Insulation Resistance	Maximum Capacitance (1MHz)	Safety Approvals	
	100V/S	100V/ $\mu$ s	1KV/ $\mu$ s	1 time	10 times	100A	50Hz, 1Sec	<150ms			UL1449/cUL	UL 497B
	(V)	(V)	(V)	(KA)		(Times)	(A)	(V)			(G $\Omega$ )	(pF)
GD82R070□□	70 $\pm$ 20%	500	600	20	15	500	10	52	1	1.5		√
GD82R075□□	75 $\pm$ 20%	500	600					52			√	
GD82R090□□	90 $\pm$ 20%	500	600					52			√	
GD82R120□□	120 $\pm$ 20%	500	700					52			√	
GD82R130□□	130 $\pm$ 20%	500	700					52			√	
GD82R145□□	145 $\pm$ 20%	500	700					52			√	
GD82R230□□	230 $\pm$ 20%	500	700					80			√	
GD82R250□□	250 $\pm$ 20%	500	700					135			√	
GD82R300□□	300 $\pm$ 20%	700	900					150			√	
GD82R350□□	350 $\pm$ 20%	700	900					150			√	
GD82R400□□	400 $\pm$ 20%	800	1000					150			√	
GD82R470□□	470 $\pm$ 20%	900	1100					150			√	
GD82R600□□	600 $\pm$ 20%	1100	1300					150			√	√
GD82R800□□	800 $\pm$ 20%	1300	1500	10	5	500	5	150	√	√		

Note1: The first □ is style of lead wire, and the second □ is packaging.

Note2: UL 497B File No: E245070, UL 1449 4th File No:E314979

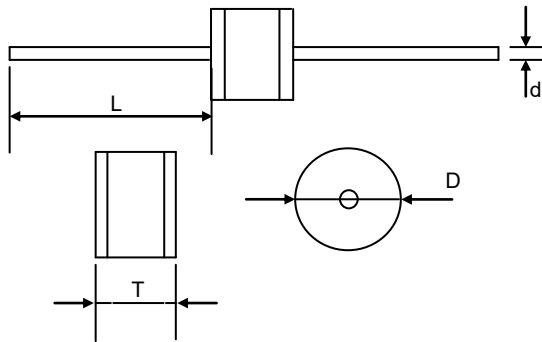
Note 3: Insulation resistance test conditions:

DC Spark-over Voltage	DC Measuring Voltage
70-90V	50V
120-400V	100V
470-800V	250V

## 2-Electrode $\Phi 8.0$ x T6 mm Type

### ■ Dimension

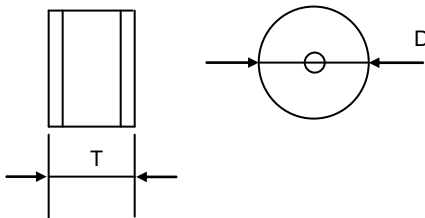
□ = Y (Axial Lead Type)



(Unit: mm)

Item	Dimensions	
	Spec.	Tolerance
D	8.0	+0.3/-0.5
T	6.0	+0.3/-0.5
L	20	Min.
d	0.8	$\pm 0.05$

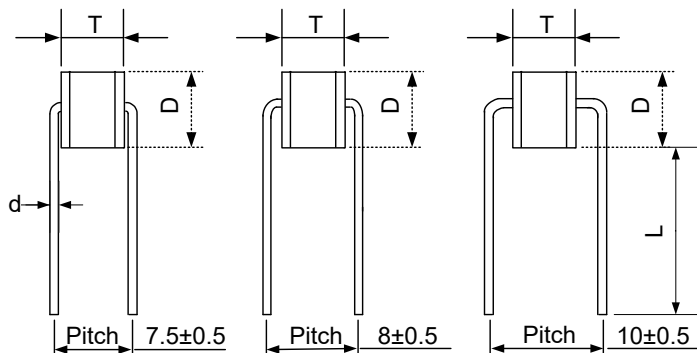
□ = M (No Lead Type)



(Unit: mm)

Item	Dimensions	
	Spec.	Tolerance
D	8.0	+0.3/-0.5
T	6.0	+0.3/-0.5

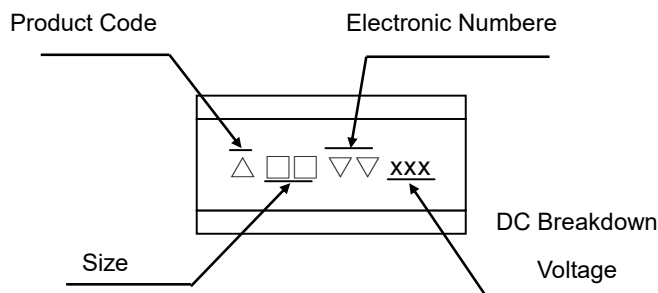
□ = C, D, or E (Formed Lead)



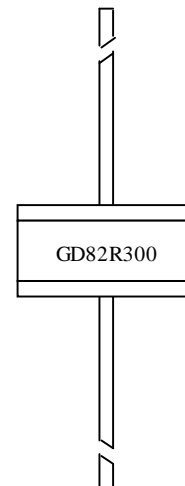
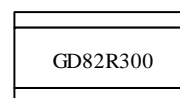
(Unit: mm)

Item	Dimensions	
	Spec.	Tolerance
D	8.0	+0.3/-0.5
T	6.0	+0.3/-0.5
d	0.8	$\pm 0.5$
L	15.0	Min.
P	7.5	$\pm 0.5$
	8	$\pm 0.5$
	10	$\pm 0.5$

### ■ Marking



Example



## 2-Electrode $\Phi 8.0$ x T6 mm Type

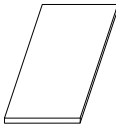
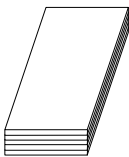
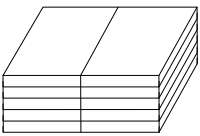
### ■ Packaging

#### ● Bulk

- ◆ For No Lead (M Type) and Axial Lead (Y Type):

**Quantity: 500pcs per Inner Box**

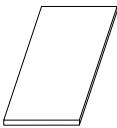
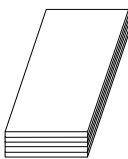
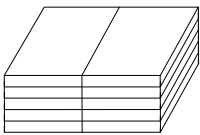
(Unit: mm)

Item	PS Box	Inner Box	Outside Box
Dimensions	252×135×10mm	270×145×50mm	300×245×180mm
Drawing			
Quantity	100pcs / PS Box	500pcs / Inner Box	2000pcs / Outside Box

- ◆ For Formed Lead (C, D, or E Type) :

**Quantity: 500pcs per Inner Box**

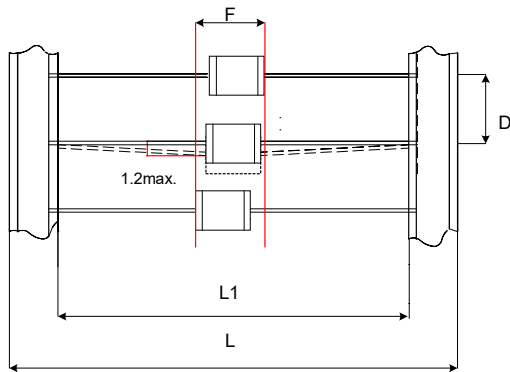
(Unit: mm)

Item	PS Box	Inner Box	Outside Box
Dimensions	263×144×8mm	270×145×50mm	300×245×180mm
Drawing			
Quantity	100pcs / PS Box	500pcs / Inner Box	2000pcs / Outside Box

## 2-Electrode $\Phi 8.0$ x T6 mm Type

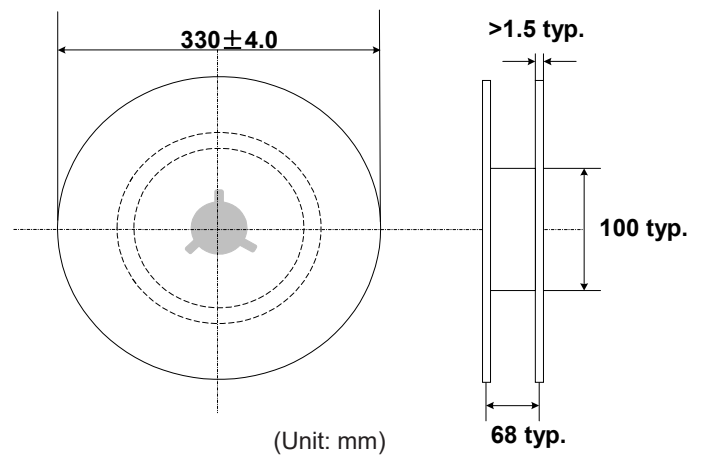
- Taping

For 2-electrode Axial Lead GDT: 500 PCS/Reel



(Unit: mm)

Item	Dimensions	
	Spec.	Tolerance
L1	52	$\pm 2$
L	64	$\pm 3$
D	10	$\pm 0.5$
F	T + 1.4	Max.



(Unit: mm)

### ■ Warehouse Storage Conditions of Products

- Storage Conditions:

1. Storage Temperature:  $-10^{\circ}\text{C} \sim +40^{\circ}\text{C}$
2. Relative Humidity:  $\leq 75\% \text{RH}$
3. Keep away from corrosive atmosphere and sunlight.