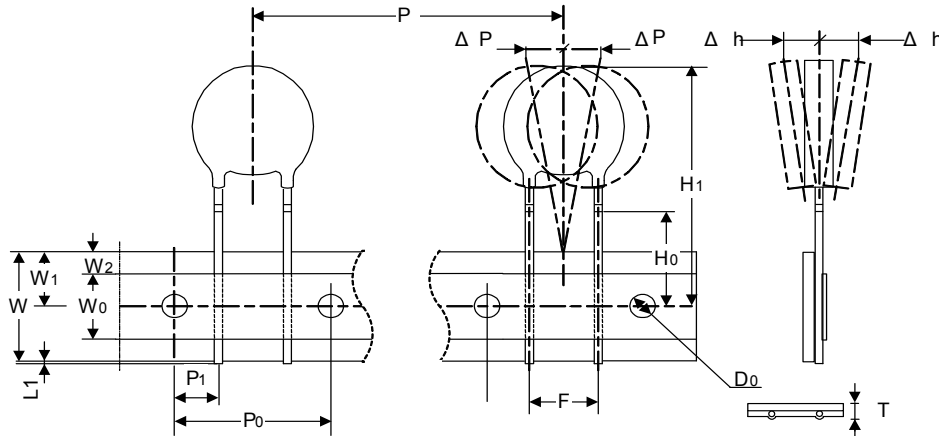


Ceramic PTC Thermistor: PT Series

Temperature Sensor

■ Packaging

● Taping Specification (For straight lead)



■ Parameter List

Index	Parameter	Nominal dimensions	Tolerance
F	Lead spacing	2.5	±1
P ₀	Sprocket hole pitch	12.7	±0.3
P ₁	Ordinate to adjacent component lead	5.10	±1
P	Device pitch	12.7	±1
H ₀	Abscissa to plane	18	±1
H ₁	Abscissa to top	32.5	Max.
W	Carrier tape width	18	±1
W ₀	Hold-down tape width	12	±1
W ₁	Sprocket hole position	9	±1
W ₂	Top distance between tape edges	3	3 Max.
ΔP	Body tape plane deviation	1	1 Max.
Δh	Body lateral deviation	2	2 Max.
L ₁	Lead protrusion	0.5	0.5 Max.
D ₀	Sprocket hole diameter	4	±0.2
T	Tape thickness	0.6	±0.2

Note: Taping specification is applied to PTL series only.

Ceramic PTC Thermistor: PT Series Temperature Sensor

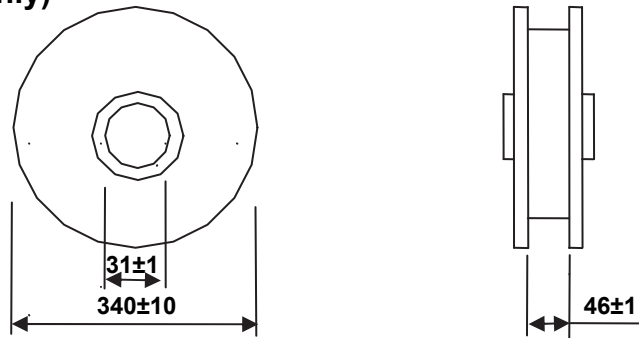
■ Quantity

● Bulk Packing

Type	Quantity (Pcs per bag)
PTL	500
PTM	200

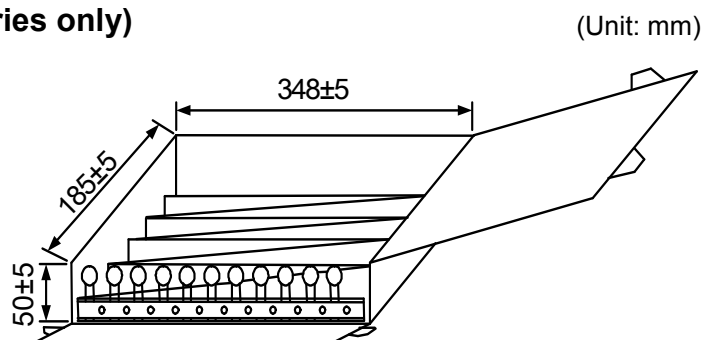
● Reel Packing (For PTL Series only)

2,000 pcs per reel



● Ammo packing (For PTL Series only)

1,500 pcs per box



■ Warehouse Storage Conditions of Products

● Storage Conditions :

1. Storage Temperature : $-10^{\circ}\text{C} \sim +40^{\circ}\text{C}$
2. Relative Humidity : $\leq 75\% \text{RH}$
3. Keep away from corrosive atmosphere and sunlight.

● Period of Storage : 1 year

■ Usage

Please keep products away from the conditions mentioned below to avoid their characteristic deterioration and failure.

1. Corrosive gas or deoxidizing gas (Cl_2 , H_2S , NH_3 , SO_x , NO_x etc.)
2. Place in a vacuum or put pressure
3. Salt water, oil, solvent and chemical liquid
4. Flammable gas
5. Place in splashed water, or high humidity and dewing place
6. Other places similar to any conditions mentioned above