

## SPECIFICATIONS

**CIRCUIT:** SPST

**FUNCTION:** MOMENTARY

**CONTACT RATING:** 1~50mA @ 5V~24VDC (resistive load)

**OPERATING FORCE:** Standard Force: 170 ± 40gf  
High Force : 260 ± 50gf

**TOTAL TRAVEL:** 0.25 +0.2/-0.1mm

**ELECTRICAL LIFE:**

170gf (standare force): 500,000 operations min.

260gf (high force) : 300,000 operations min.

**CONTACT RESISTANCE:** 100 mΩ max. (initialvalue)

**INSULATION RESISTANCE:** 100 MΩ min.

**DIELECTRIC STRENGTH:** 500 RMS @ sea level.

**OPERATING TEMPERATURE:** -25°C to 70°C.

## MATERIALS

**CASE:** PBT(UL94V-0).

**HOUSING:** PBT(UL94V-0).

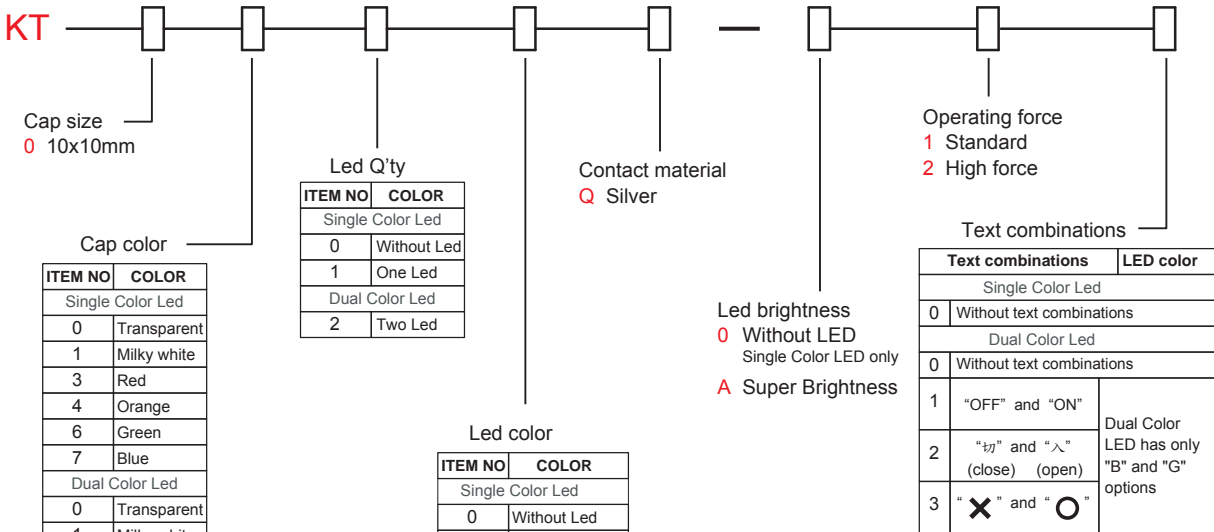
**ACTUATOR:** PC

**TERMINAL/CONTACT:** Brass,silver plated.



## HOW TO ORDER

MODEL NO. CAP SIZE CAP COLOR LED Q'TY LED COLOR CONTACT MATERIAL LED BRIGHTNESS OPERATING FORCE TEXT COMBINATIONS



### Example:

Single Color Led: KT-0113Q-A10

Dual Color Led:

KT-002BQ-A11(text combinations)

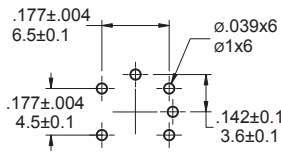
KT-002CQ-A10(Without text combinations)

Led color

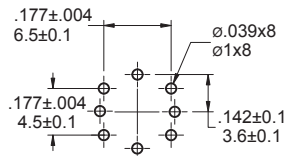
ITEM NO	COLOR
Single Color Led	
0	Without Led
1	White
3	Red
5	Yellow
6	Green
7	Blue
Dual Color Led	
B	Red+Blue
G	Red+Green
Without text combinations	
C	Yellow+Green
D	Yellow+Red
F	Blue+Green

## P.C.B MOUNTING / CIRCUIT

### P.C.B MOUNTING

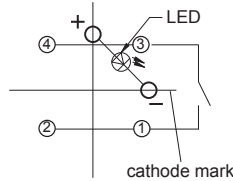


Single Color Led  
TOP VIEW

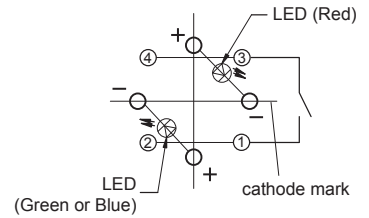


Dua Color Led  
TOP VIEW

### CIRCUIT



Single Color Led  
TOP VIEW

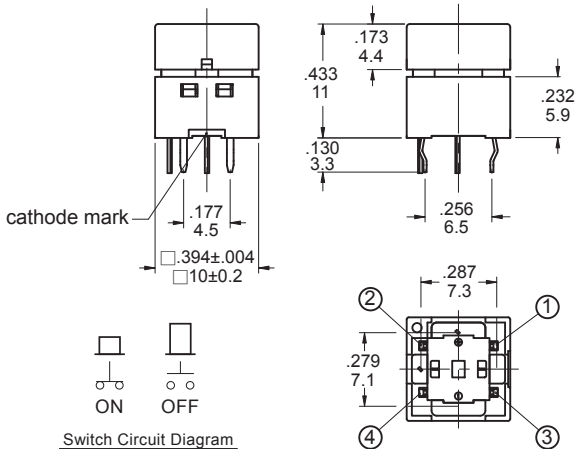
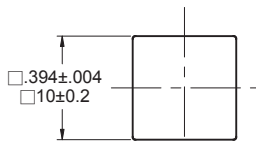


Dua Color Led  
TOP VIEW

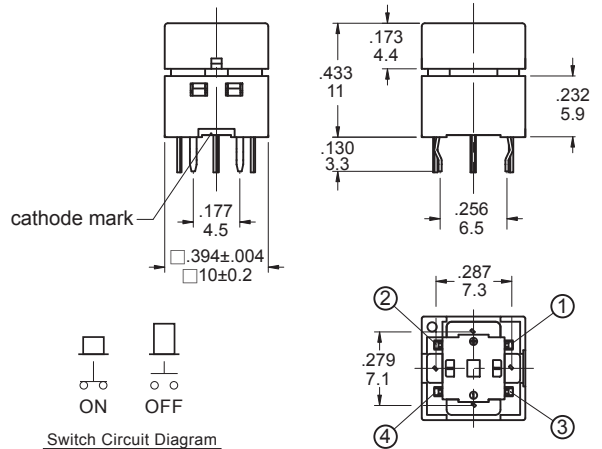
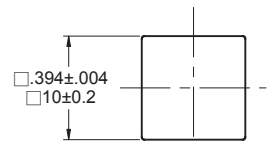
## DIMENSION



Part No. Shown: KT-011□Q-A10



Part No. Shown:KT-002GQ-A13



KT  
Tact Switches

## WITH LED ELECTRO-OPTICAL DATA

\* The LED specification for reference only

Single Color Led							
Lens Appearance	Color	Electro-optical Data(AT 20mA)				Peak wavelength (mm)	Viewing Angle 2θ 1/2 (deg)
		Vf (V)		Iv (mcd)			
		Typ.	Max.	Typ.	Min.		
Water Clear	White	3.2	3.7	270	160	X 0.25 Y 0.29	150°
	Red	2.0	2.5	95	50	635	
	Yellow	2.0	2.5	150	80	585	
	Green	3.3	3.7	280	200	520	
	Blue	3.1	3.6	50	20	460	
Dual Color Led							
Lens Appearance	Color	Electro-optical Data(AT 20mA)				Peak wavelength (mm)	Viewing Angle 2θ 1/2 (deg)
		Vf (V)		Iv (mcd)			
		Typ.	Max.	Typ.	Min.		
Water Clear	Red	2.0	2.5	95	50	635	150°
	Green	3.3	3.7	280	200	520	
	Blue	3.1	3.6	50	20	460	
	Yellow	2.0	2.5	150	80	585	