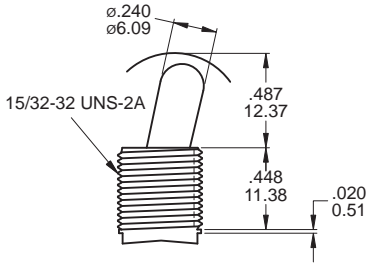


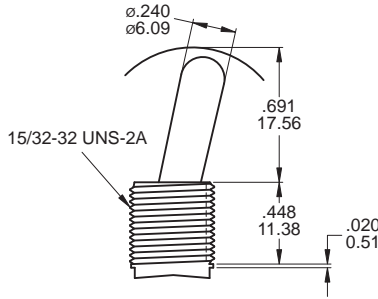


T7



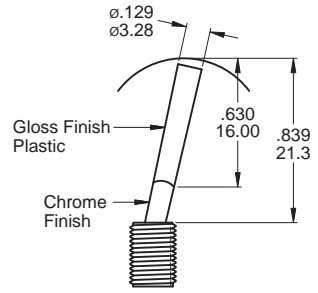
Use with B13 bushing
Use with B18,B20 the lever is antirotation and the size of lever is 13.00mm

T8



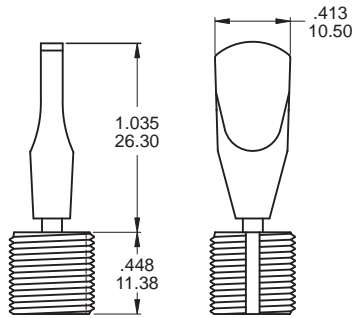
Use with B13 bushing
Use with B18,B20 the lever is antirotation and the size of lever is 18.00mm

T9



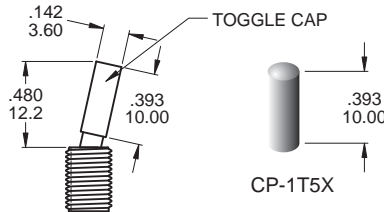
B1 / B2 bushing std
with black and red color only (std.)

TA PLASTIC BLACK



Use with B18 bushing only

T11



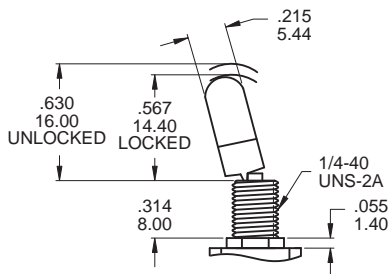
NOTE T11 Actuator shown with standard B1 Bushing ;
Add .070 (1.78) for B3 Bushing ;
Subtract .020 (0.51) for B6 Bushing.
Std for M1.M2 Terminal sub .016 (0.40) for M6.M7.VSX

Plastic No.Color :

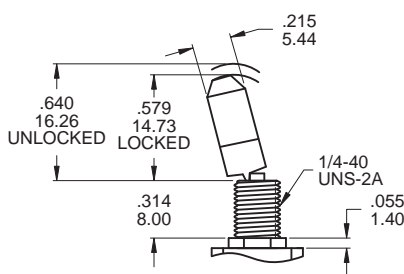
ITEM NO	COLOR
1	White
2	Black (Std)
3	Red
4	Orange
5	Yellow
6	Green
7	Blue
8	Brown
9	Gray

T62 , TA , T9 , T11
ACTUATOR ONLY

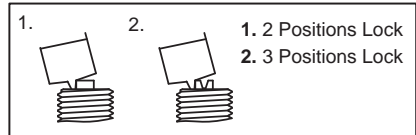
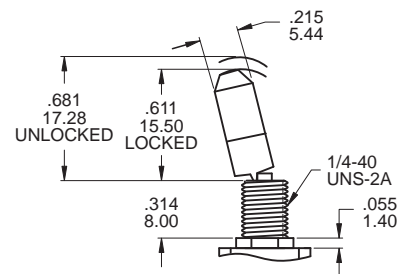
TL1B25



TL2B25

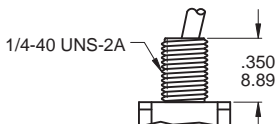
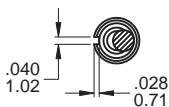


TL3B25

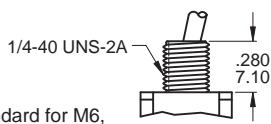
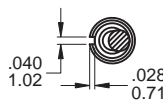


BUSHING OPTIONS

B1 THD STD
B2 NON-THD

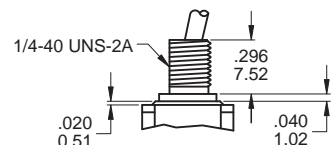
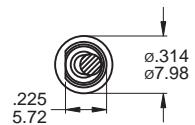


B3 THD
B4 NON-THD

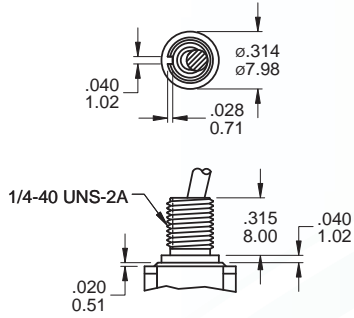


B4 is standard for M6, M7 and VS2-5 termination options.

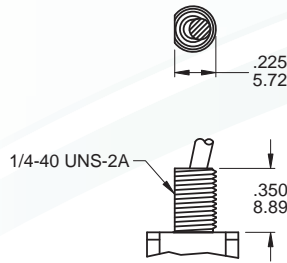
B5 HIGH TORQUE



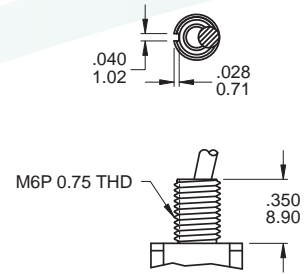
B6 HIGH TORQUE



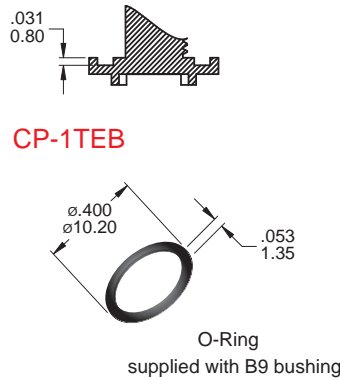
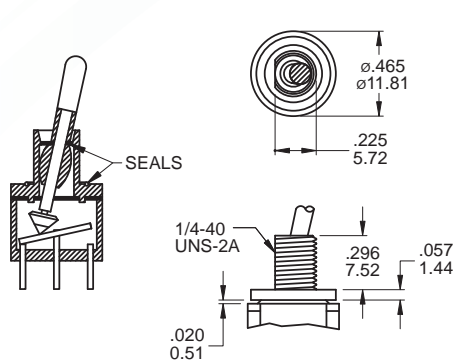
B7 THD STD



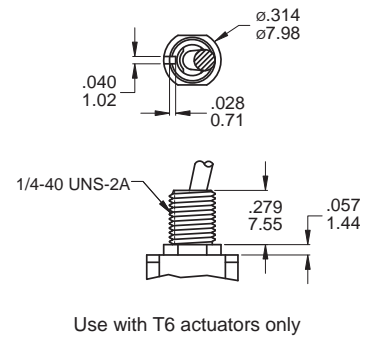
B8 METRIC THD



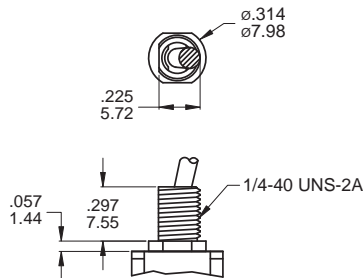
B9 SPLASH PROOF



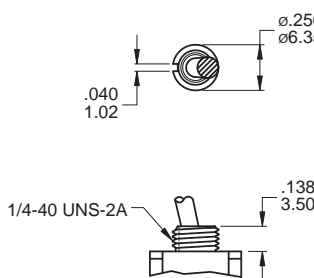
B11 THD STD B12 NON-THD



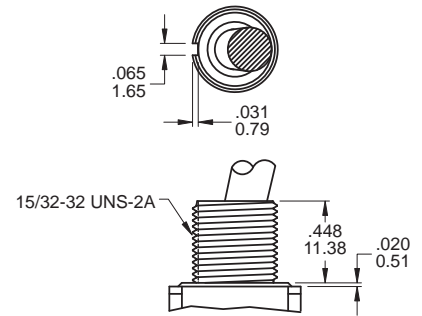
B15 THD STD B16 NON-THD



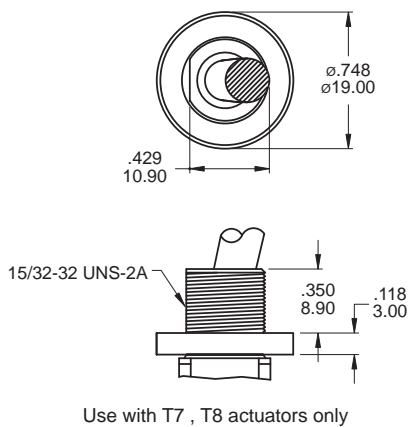
B17



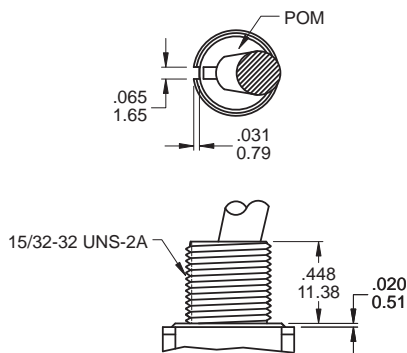
B13



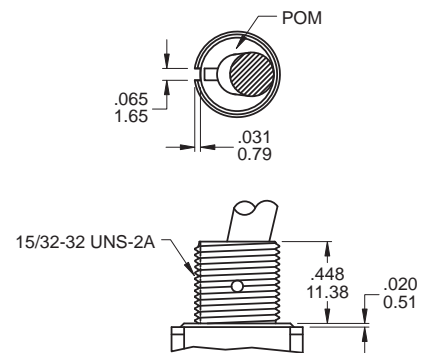
B14 SPLASH PROOF



B18



B20



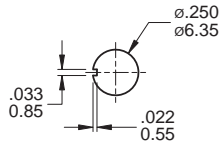
Use with T7, T8 and TA actuators only with Plastic (POM) Insert

Use with T7, T8 and TA actuators only with Plastic (POM) Insert

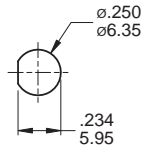
B18, B20 Bear strength from top of actuator up to 20kg aside up to 15kg

PANEL MOUNTING

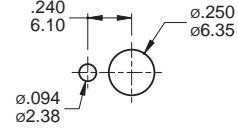
1/4 IN BUSHING



Without locking ring (Keyway)

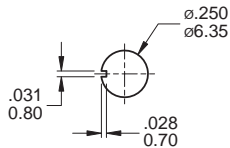


Without locking ring (Flat)

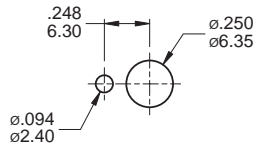


With standard locking ring.

METRIC BUSHING

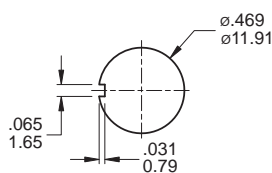


Without locking ring (Keyway)

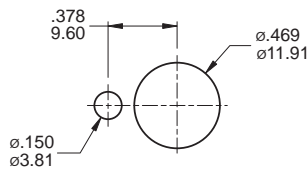


With standard locking ring.

15/32 IN BUSHING

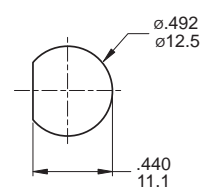


Without locking ring (Keyway)



With standard locking ring.

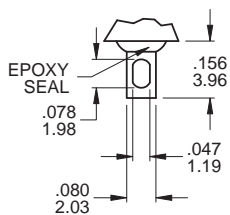
SPLASH PROOF BUSHING



Without locking ring (Flat)

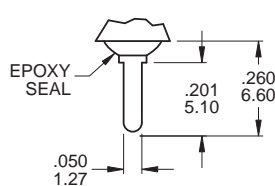
TERMINATION OPTIONS

M1 Solder lug



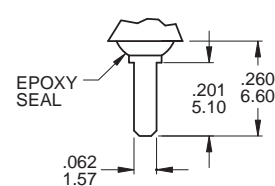
.030(0.76) THK.

M2 PC Thru-hole



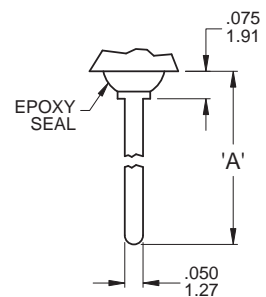
.030(0.76) THK.

M3 Quick connect



.030(0.76) THK.

M5 Wire Wrap



.030(0.76) THK.

OTHER TERMINATION OPTIONS

- M6** RIGHT ANGLE P.C. MOUNT
- M7** RIGHT ANGLE P.C. MOUNT
- VS2** VERTICAL BRACKET P.C. MOUNT
- VS3** VERTICAL BRACKET P.C. MOUNT
- VS5** VERTICAL BRACKET P.C. MOUNT

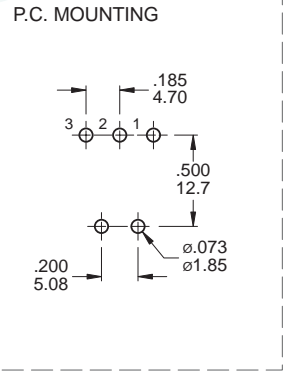
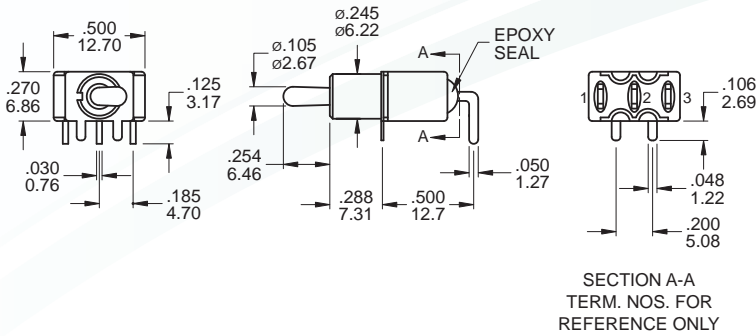
OPTION CODE	DIM. 'A'
M5-1	.736 (18.70)
M5-2	.953 (24.20)
M5-3	.415 (10.55)
M5-4	1.062 (26.97)



M6



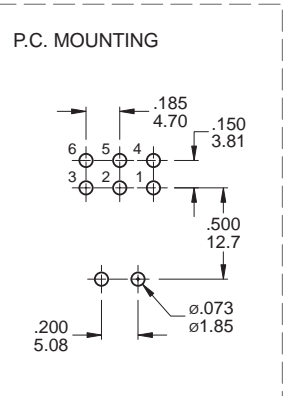
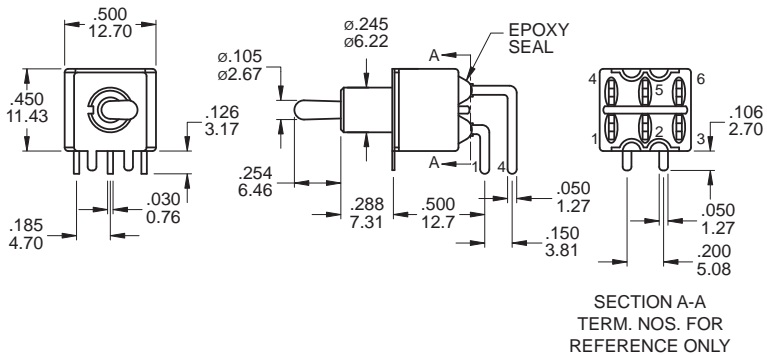
1M
Toggle Switches



SPDT

Part No. Shown : 1MS1T2B4M6QE

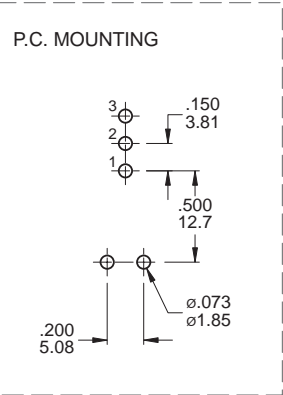
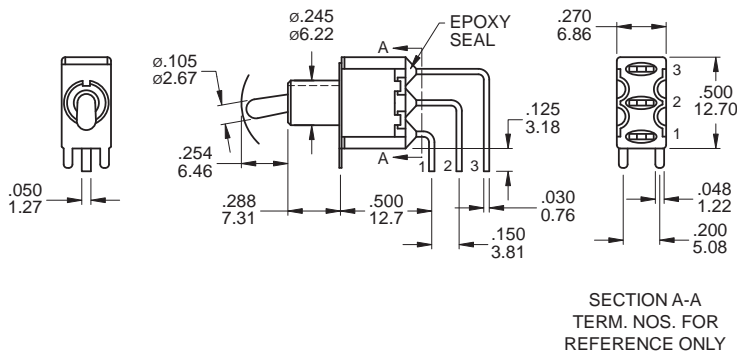
M6



DPDT

Part No. Shown : 1MD1T2B4M6RE

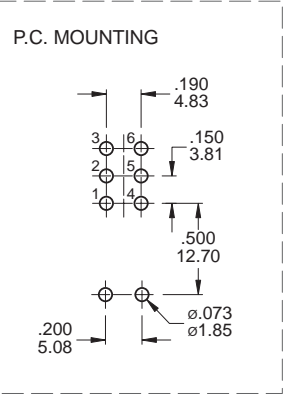
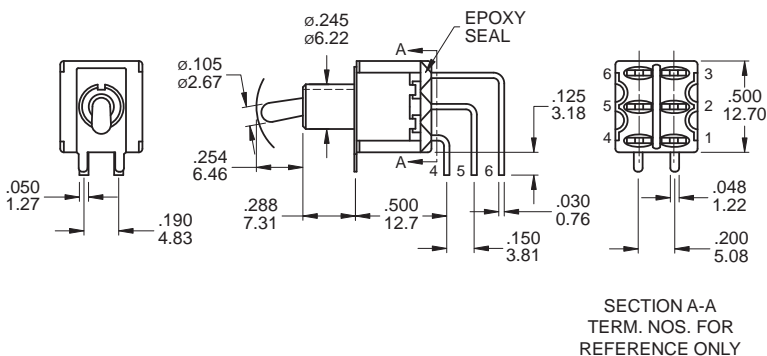
M7



SPDT

Part No. Shown : 1MS1T2B4M7QE

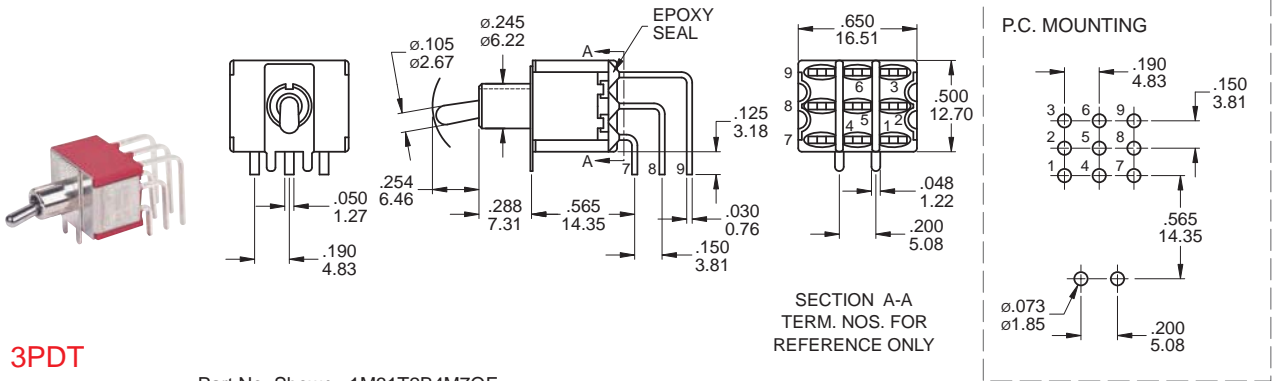
M7



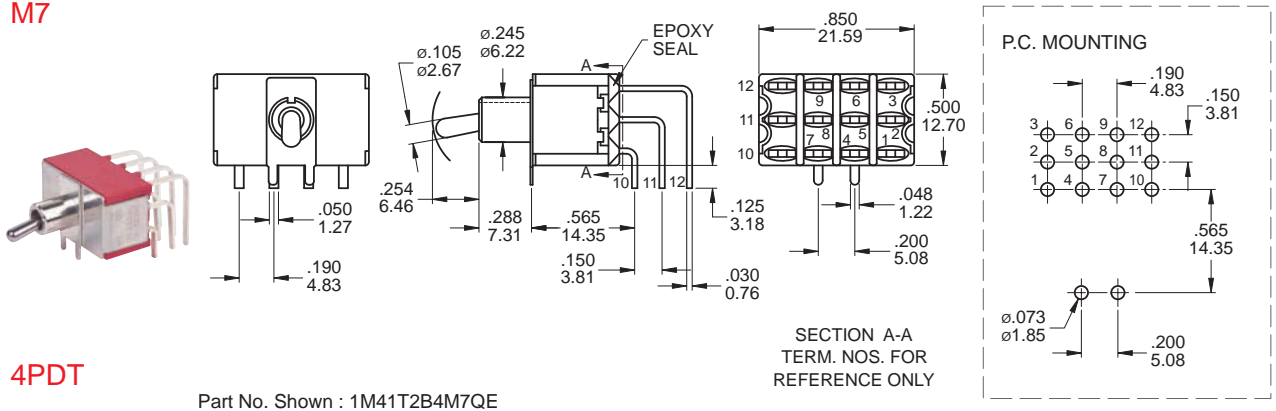
DPDT

Part No. Shown : 1MD1T2B4M7QE

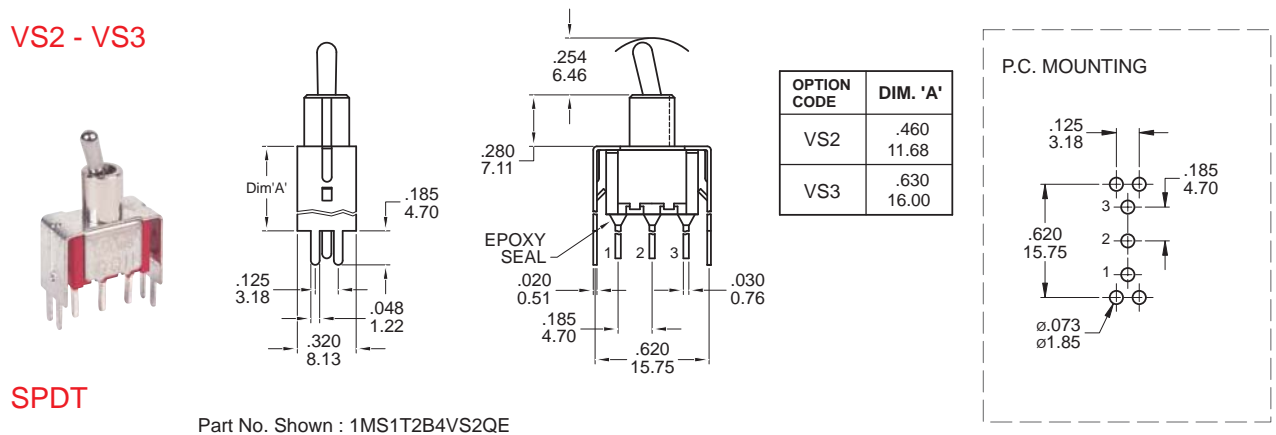
M7



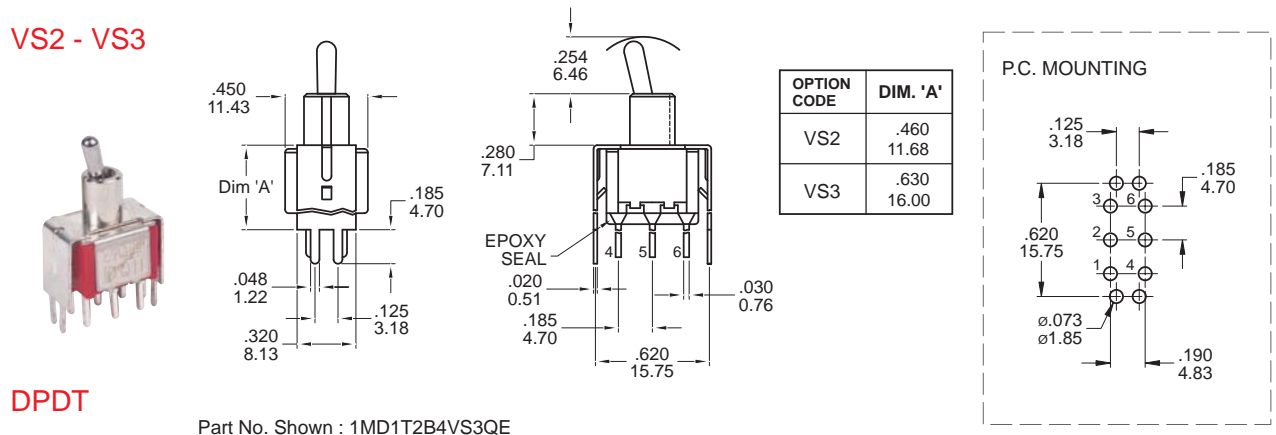
M7



VS2 - VS3

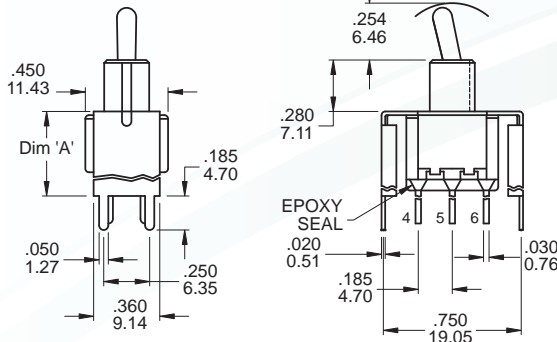


VS2 - VS3



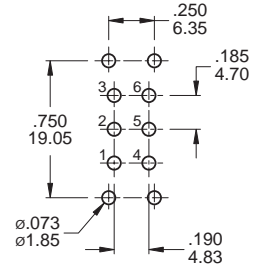


VS5



OPTION CODE	DIM. 'A'
VS4	.460 11.68
VS5	.630 16.00

P.C. MOUNTING

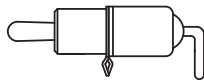
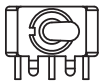


DPDT

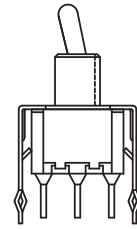
Part No. Shown : 1MD1T2B4VS5QE

SNAP-IN TERMINATION OPTIONS

M6N

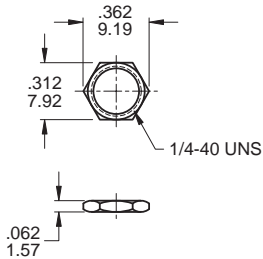


V2N



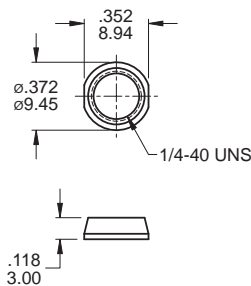
HARDWARE

1/4 NUTS HDW2

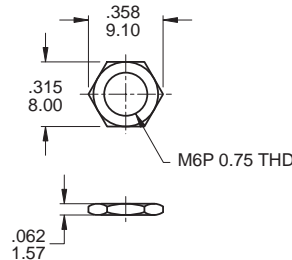


Supplied standard with B1, B3, B5, B6 and B9 options

DRESS NUT HDW3

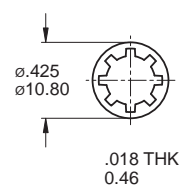


METRIC NUT HDW6



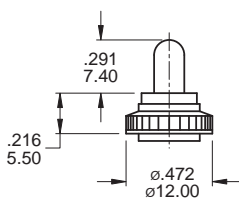
Supplied standard with B8 metric bushing

LOCK WASHER HDW11



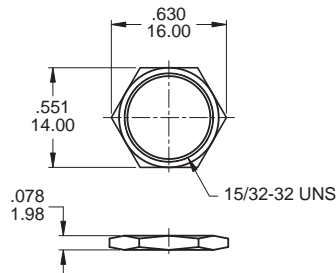
Supplied standard with B1 / B3 bushing

OPTIONAL RUBBER HOOD SEALING



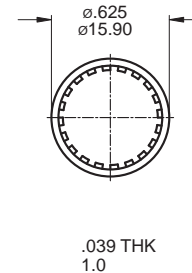
K1=Metric
E1=Inch (Std.)
for actuator T1, T2 and
B1, B3, B5, B6 Bushing only

15/32 NUTS HDW4



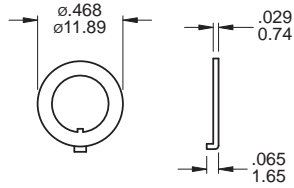
Supplied standard with B13 bushing

LOCK WASHER HDW12



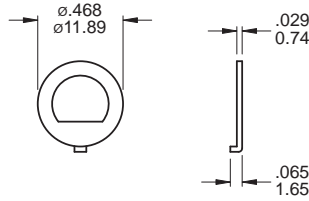
Supplied standard with B13 bushing

HDW15



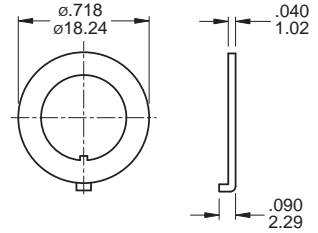
Locking ring supplied standard

HDW16



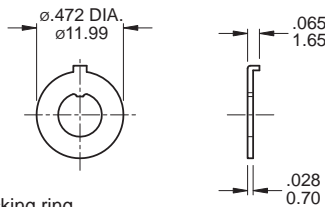
Locking ring supplied with B5 bushing

HDW17



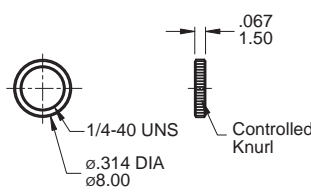
Locking ring supplied with B13,B18,B20 bushing

HDW18



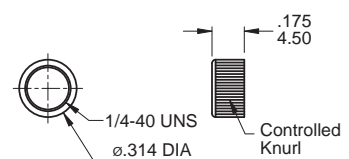
Locking ring supplied with B8 bushing

HDW19



NU-1M18

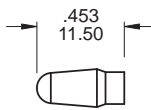
HDW20



NU-1M24

OPTIONAL TOGGLE CAP

CP-T1XX



Use with T1

CAP Color :

ITEM NO	COLOR
1	White
2	Black (Std)
3	Red
5	Yellow
6	Green
7	Blue
9	Gray

CONTACT MATERIAL OPTIONS

	CONTACT PLATING	TERMINAL PLATING	RATINGS
Q	Silver	Q = Silver	5 Amps with resistant load @ 120VAC or 28VDC 2 Amps with resistant load @ 250VAC
S		S = Silver,pure - tin	
C	Gold over Silver	C = Gold over silver	
K		K = Gold over silver,pure - tin	
R	Gold	R = Gold	0.4 Volt - Amps (VA) max. @ 20V max. (AC or DC)
G		G = Gold,pure - tin	

SOLDERING PROCESSES

MANUAL SOLDERING: Use soldering iron of 30 watts, controlled at 350°C approximately 5 seconds while applying solder.

WAVE SOLDERING: Recommended Soldering Temperature: 260 ± 5°C

Duration of Solder Immersion: Max 5 sec. (PCB is 1.6mm in thickness)