

SPECIFICATIONS

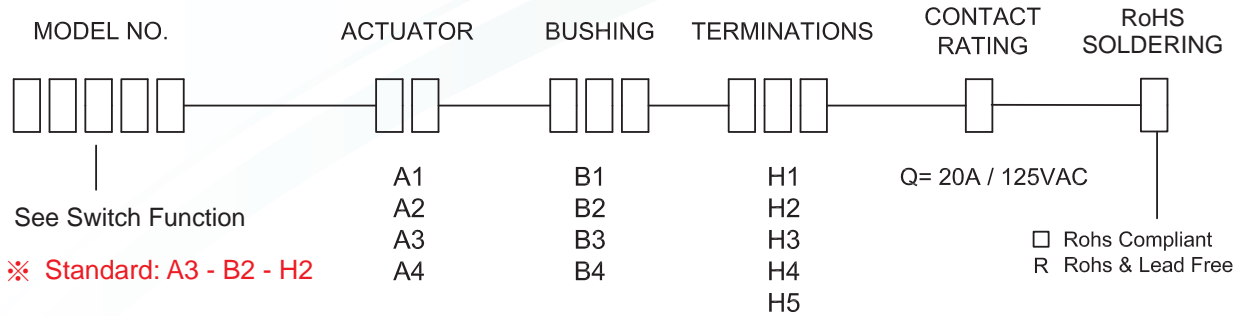
RATING: 15A 125VAC/20A 125/150VAC

INSULATION RESISTANCE: DC 500V 2000M Ω Min.

CONTACT RESISTANCE: DC2-4V 1A 20m Ω Max.

WITHSTAND VOLTAGE: AC 1500V Min.

HOW TO ORDER



SWITCH FUNCTION

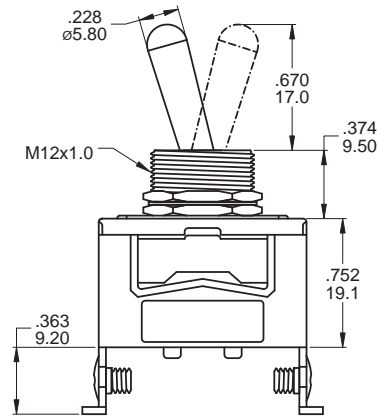
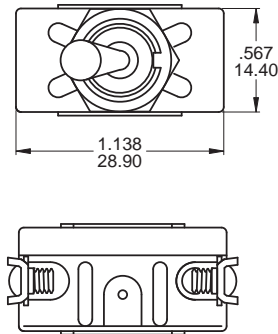
NO. POLES	UL	MODEL NO.	SWITCH FUNCTION			CONNECTED TERMINALS / SCHEMATIC		
			POS.1	POS.2	POS.3	POS.1	POS.2	POS.3
SP	✓	703	OFF	NONE	ON	OPEN	N/A	1-3
		703A	OFF	NONE	MOM			
	✓	704-1	ON	NONE	ON	2-3	OPEN	2-1
		704-1A	MOM	NONE	ON			
	✓	704-2	ON	OFF	ON			
		704-2A	MOM	OFF	ON			
	704-2B	MOM	OFF	MOM				
DP	✓	705	OFF	NONE	ON	OPEN	N/A	1-3,4-6
		705A	OFF	NONE	MOM			
	✓	706-1	ON	NONE	ON	2-3,5-6	OPEN	2-1,5-4
		706-1A	MOM	NONE	ON			
	✓	706-2	ON	OFF	ON			
		706-2A	MOM	OFF	ON			
	706-2B	MOM	OFF	MOM				
3P		708-1	ON	NONE	ON	2-3,5-6,8-9	OPEN	1-2,4-5,7-8
		708-1A	ON	NONE	(ON)			
		708-2	ON	OFF	ON			
		708-2A	ON	OFF	MOM			
		708-2B	MOM	OFF	MOM			
4P		709-1	ON	NONE	ON	2-3,5-6 8-9,11-12	OPEN	1-2,4-5 7-8,10-11
		709-1A	ON	NONE	(ON)			
		709-2	ON	OFF	ON			
		709-2A	ON	OFF	MOM			
		709-2B	MOM	OFF	MOM			
		709-8P	OFF	NONE	ON	OPEN	N/A	1-3,4-6 7-9,10-12
		709-8PA	OFF	NONE	(ON)			

MOM=MOMENTARY

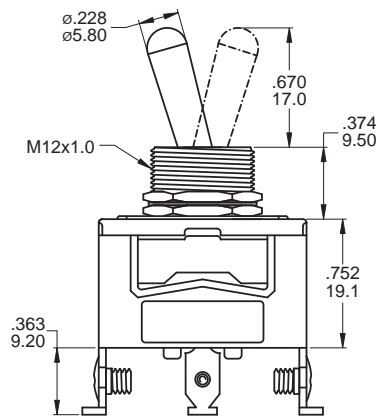
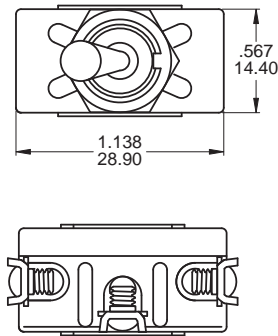
POLE OPTIONS



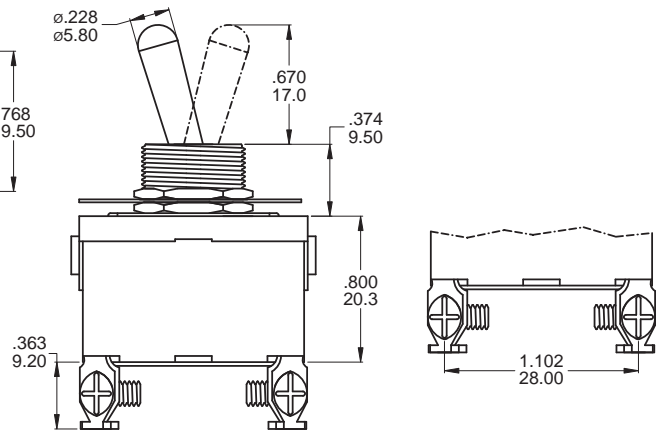
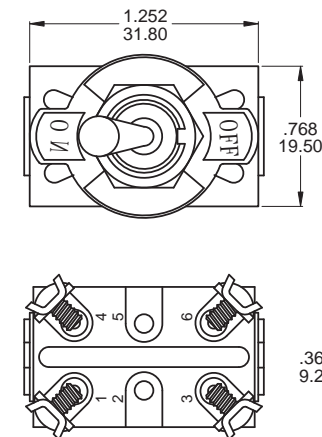
SPST
703-A3-B2-H2



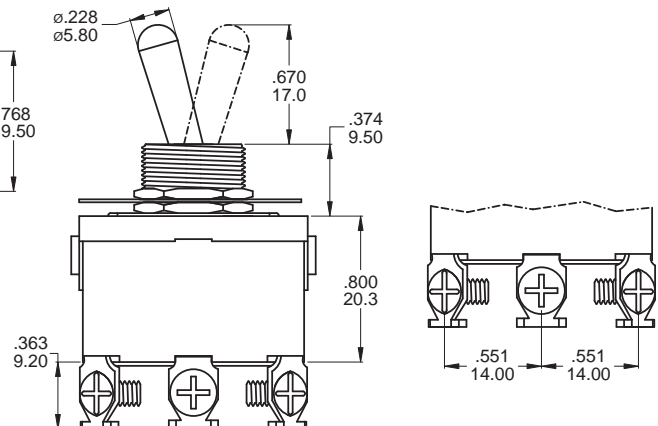
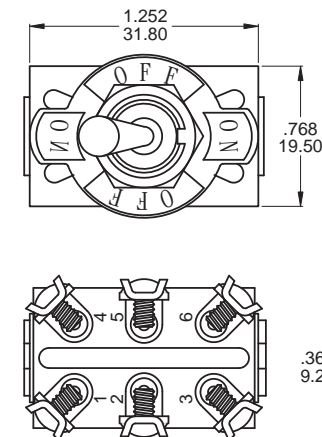
SPDT
704-A3-B2-H2



DPST
705-A3-B2-H2



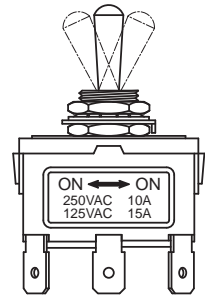
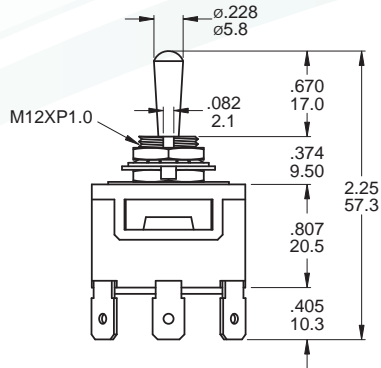
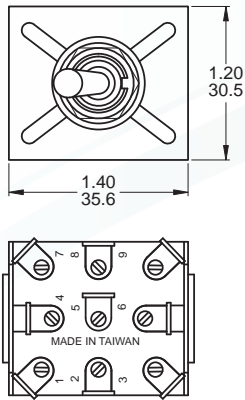
DPDT
706-1-A3-B2-H2



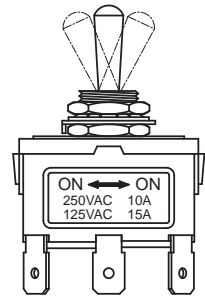
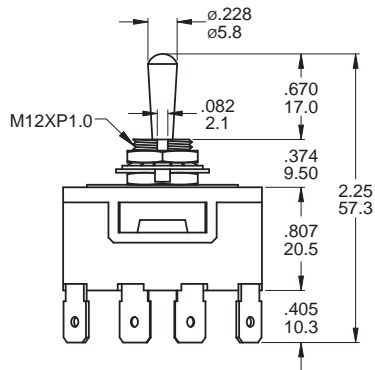
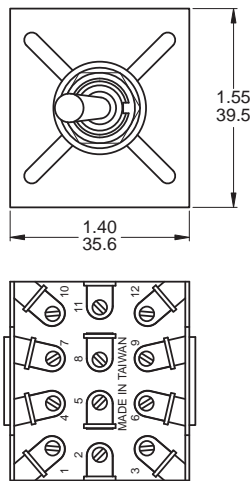
LPO
Toggle Switches



SPST
708-1-A3-B2-H5

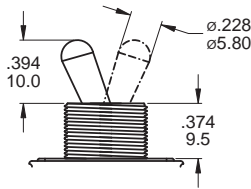


SPDT
709-A3-B2-H5

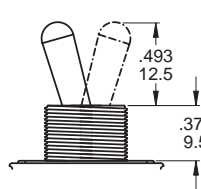


ACTUATOR OPTIONS

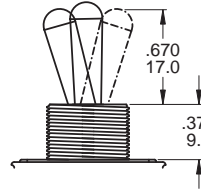
A1



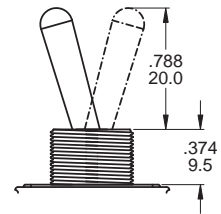
A2



A3

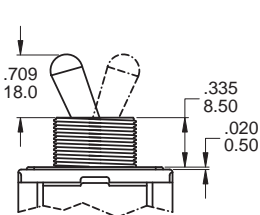


A4

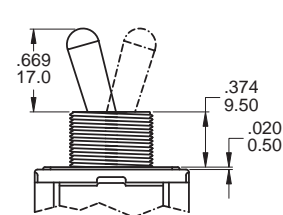


BUSHING OPTIONS

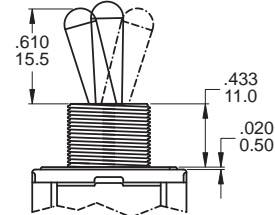
B1



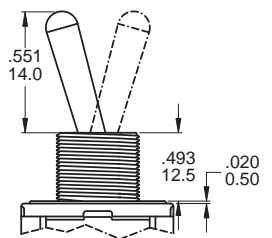
B2



B3

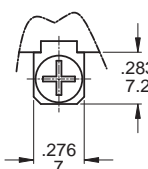


B4

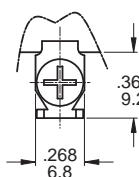


TERMINATION OPTIONS

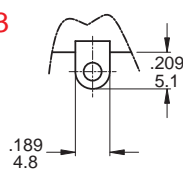
H1



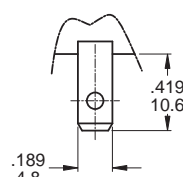
H2



H3



H4



H5

