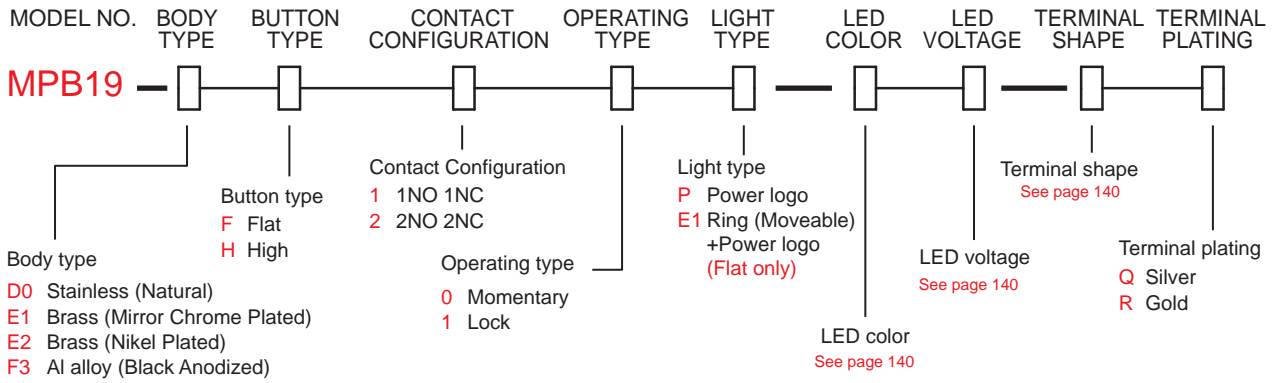
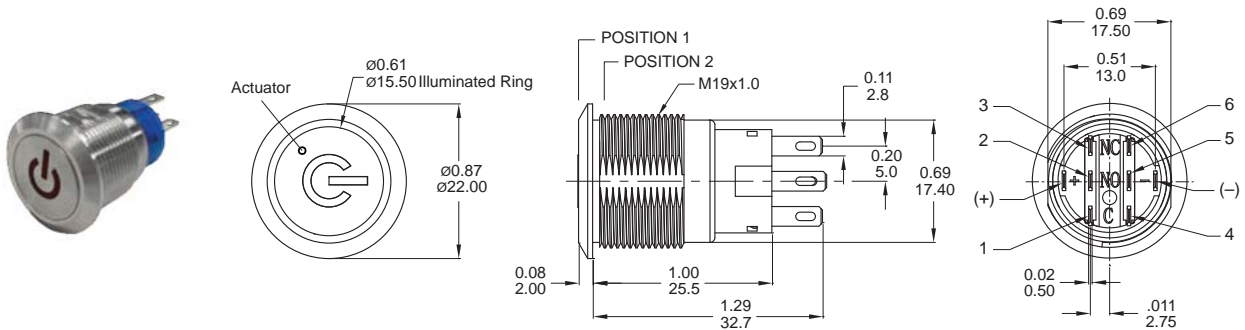


HOW TO ORDER

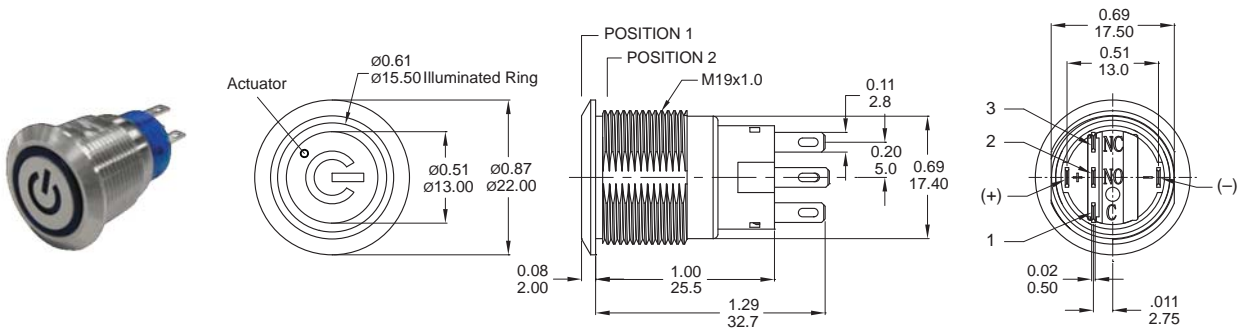


LIGHT TYPE

P Power logo



E1 Ring (Moveable)+Power logo



P Power logo

