

## SPECIFICATIONS

### MECHANICAL

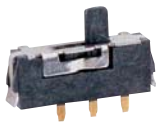
Mechanical Life: 10,000 operation cycles.  
 Operation Force: 350gf.  
 Operation Temperature Range: -20°C to +70°C  
 Storage Temperature Range: -40°C to +85°C.  
 Vibration Test: MIL-STD-202F METHOD 201A.  
     Frequency: 10-55-10Hz / 1minute.  
     Directions: X, Y, Z, three mutually  
     Perpendicular directions.  
     Time: 2 hours each direction.  
     High reliability.  
 Shock Test: MIL-STD-202F METHOD 213B.  
 CONDITION A.  
 Gravity: 50G (peak value). 11msec.  
 Direction and times: 6 sides and 3 times  
 in each direction.

### ELECTRICAL

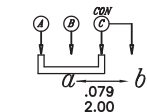
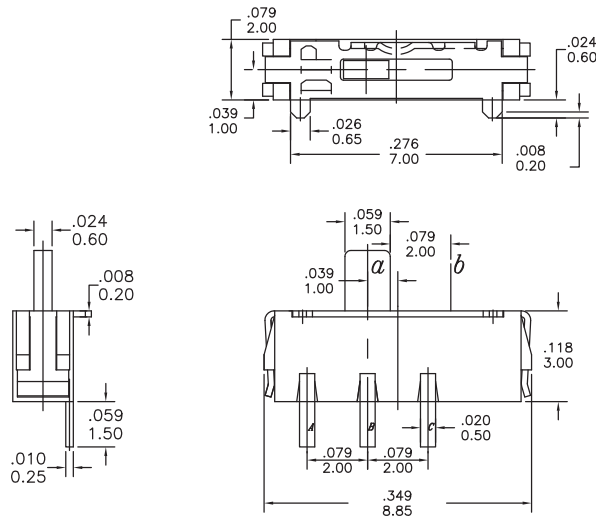
Electrical Life: 10,000 operations min.  
 Non-Switching Rating: 100mA, 50VDC.  
 Switching Rating: 25mA, 24VDC.  
 Contact resistance: 100mΩ max.  
 Insulation Resistance: 100mΩ min. (500VDC)  
 Dielectric Strength: 500VAC / 1minute.  
 Capacitance: 50pF max.  
 Circuit: 1P2T, 1P3T



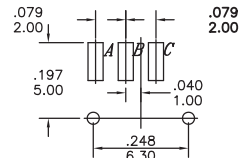
## MODEL OPTIONS



SS3-CM



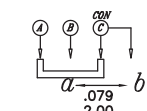
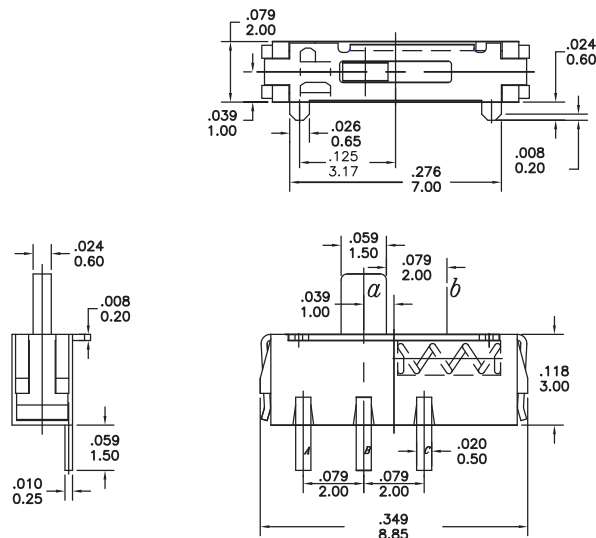
CITCUIT DIAGRAM



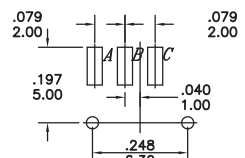
PCB MOUNTING



SS3-CMS



CITCUIT DIAGRAM



PCB MOUNTING

