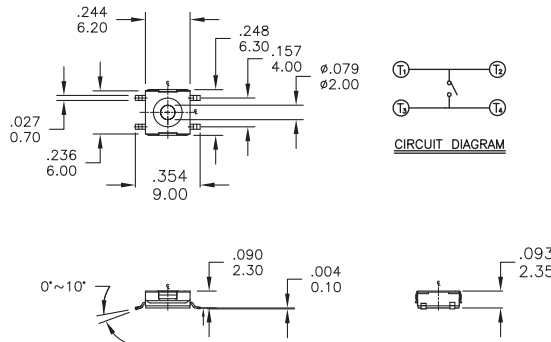
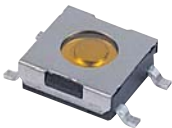


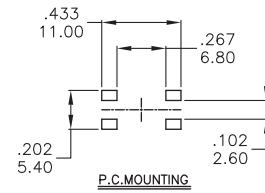
DTSMW-66

CONTACT: Stainless Steel.
CIRCUIT DISC: Phosphor brpnze with Silver cladding.
RATING: Brass with silver cladding.
BASE: UL94V-0 PPA Hing-Temp. Thermoplastic

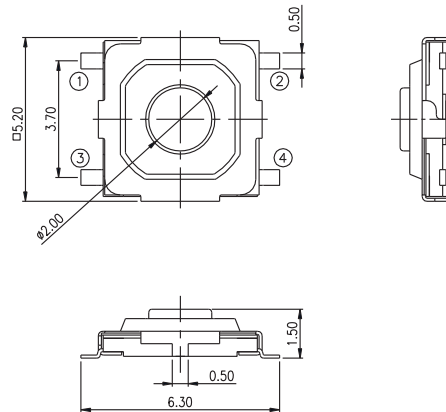
| | |
|-----------|-------------|
| DTSMW-69 | 3.80 [1.50] |
| DTSMW-68 | 2.30 [.091] |
| DTSMW-67 | 5.20 [.205] |
| DTSMW-66 | 3.10 [.120] |
| DTSMW-65 | 3.50 [.138] |
| DTSMW-64 | 4.50 [.177] |
| PROD. NO. | H |



DTSMW-68

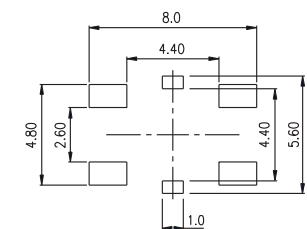
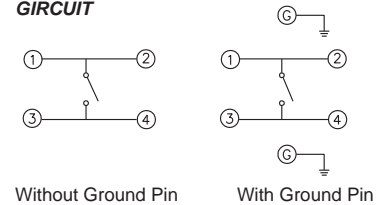


| | OPERATING FORCE | STEM COLOR |
|---|-----------------|------------|
| N | 160gf | Brown |
| S | 160gf | Silver |
| R | 260gf | Red |

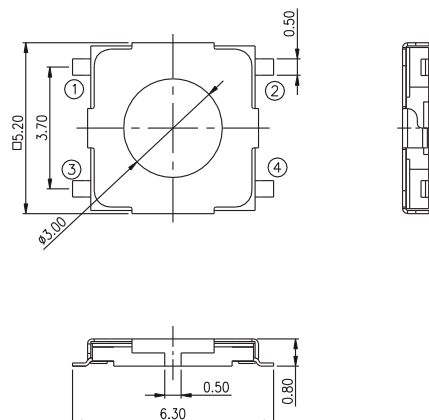


TME-533-Q

GIRCUIT

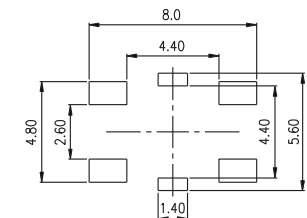
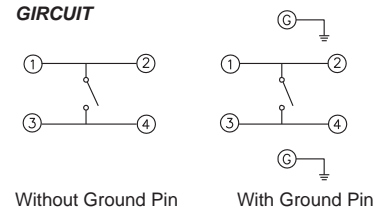


P.C.B. LAYOUT



TME-523-Q

GIRCUIT



P.C.B. LAYOUT