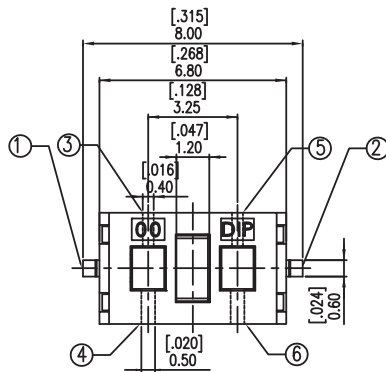
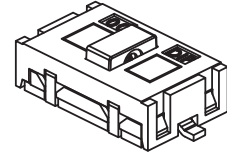




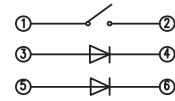
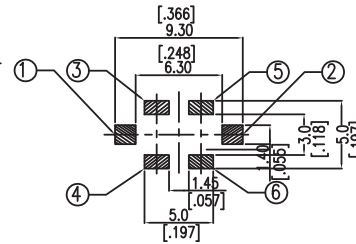
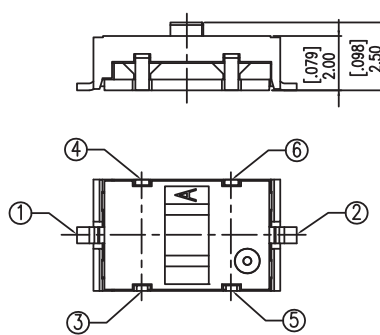
TML-3WRO



NOTE:  
 1. ALL DIMENSIONS ARE IN MILLIMETERS,  
 BRACKETED DIMENSIONS ARE IN INCHES.  
 2. GENERAL TOLERANCES  $\pm 0.20$ mm.  
 3. MATERIAL □ & \* :SEE SPECIFICATION.



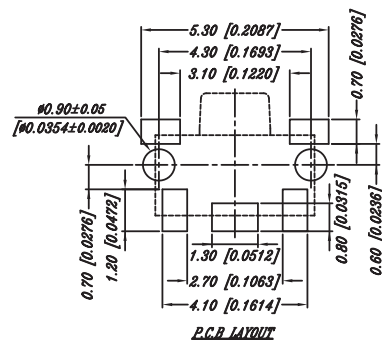
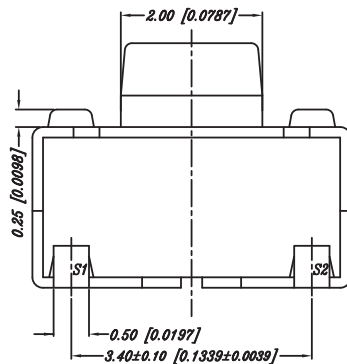
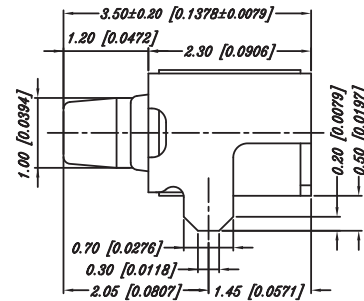
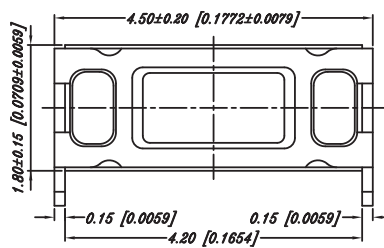
NO.	LED COLOR
X	NON-LED
R	RED
O	SOFT ORANGE
G	GREEN
B	BLUE
S	AMBER



CIRCUIT DIAGRAM



MTA-NC-V



P.C.B. LAYOUT



CIRCUIT DIAGRAM

NOTE:  
 1. ALL DIMENSIONS ARE IN MILLIMETERS,  
 BRACKETED DIMENSIONS ARE IN INCHES.  
 2. GENERAL TOLERANCES MAX.  $\pm 0.20$ mm.