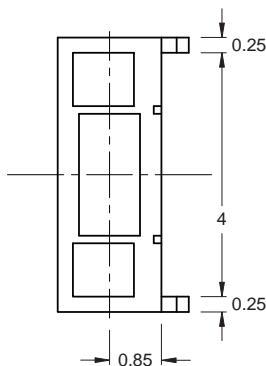
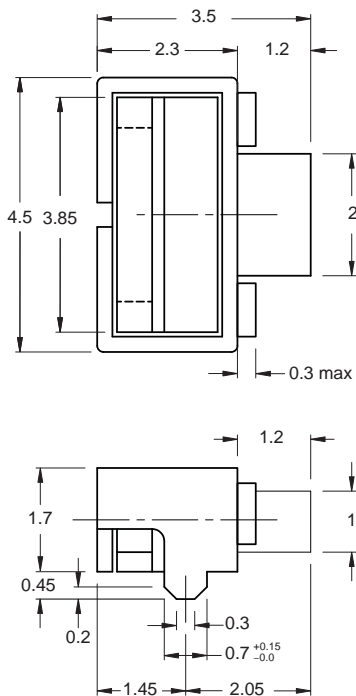




TS104A2ME-035WBR-R



CIRCUIT DIAGRAM

SPECIFICATIONS

SWITCH ACTION: PUSH-ON type S.P.S.T

RATING: DC 12V,20mA Max.

CLRCUIT: 1C-1P

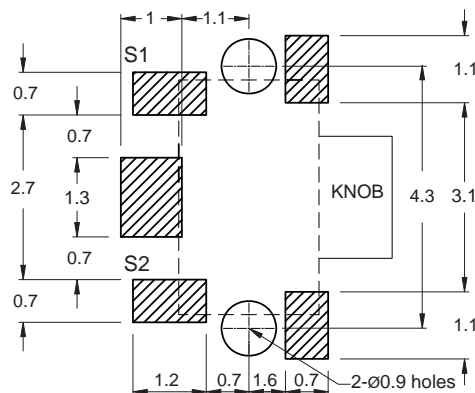
CONTACT RESISTANCE: 100 mΩ max.

OPERATING FORCE: 160 ± 50gf

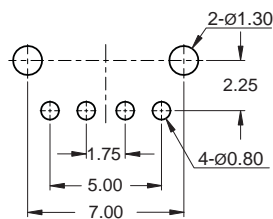
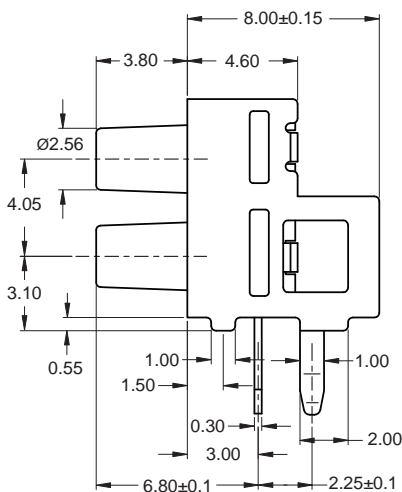
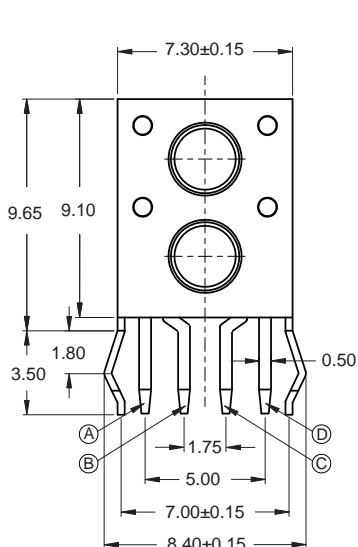
OPERATION LIFE: 100,000 cycles min.

OPERATION TEMPERATURE RANGE: -30°C~+80°C

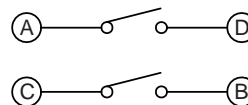
P.C.B Mounting
Pattern Dimension



TS800AH-068BR-B
6.0x8.0x8.3H Through Hole



P.C.B LAND DIMENSION



CIRCUIT DIAGRAM

SPECIFICATIONS

RATING: DC 12V 50mA

TRAVEL: 0.25 +0.2/-0.1 mm

CONTACT RESISTANCE: 100 mΩ MAX.

GENERAL TOLERANCE: ± 0.2mm

OPERATION LIFE: 100,000 cycles min.

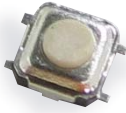
OPERATION TEMPERATURE RANGE: -20°C~+70°C

CONTACT ARRANGEMENT: 1 poles 1 throws

Manufacturing specification would be accordance with WT0158

TS Series

Tact Switches (3.3x3.3x1.5 SMD)



SPECIFICATIONS

RATING: DC 12V 50mA

CONTACT RESISTANCE: 100 mΩ MAX.

CONTACT ARRANGEMENT: 1 poles 1 throws

TRAVEL: 0.20±0.10 mm

ACTUATING FORCE: 100±50 gf

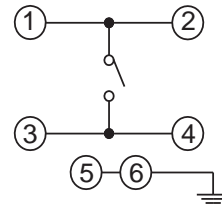
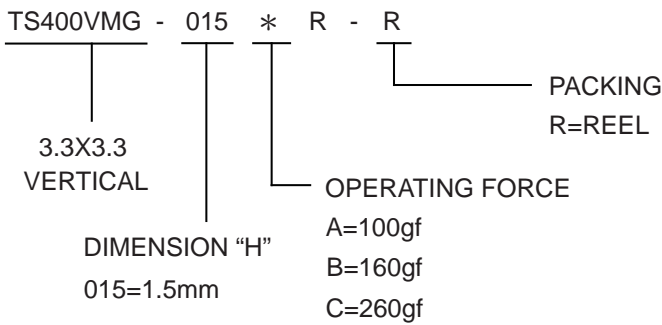
160±50 gf

260±80 gf

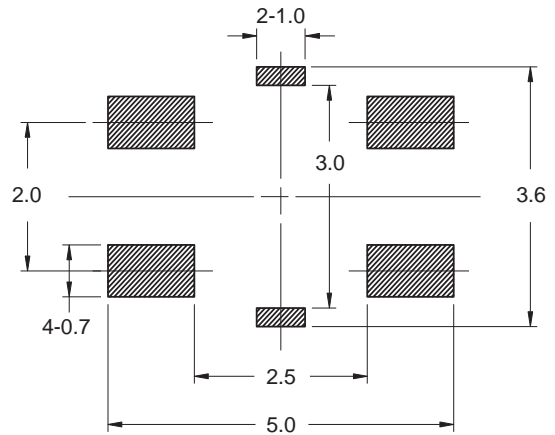
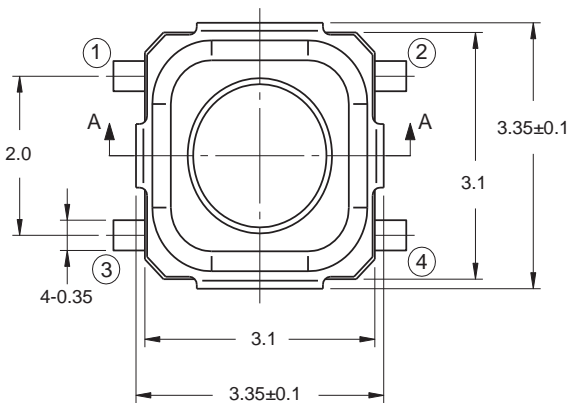
OPERATING TEMPERATURE RANG: -20°C to +70°C

Manufacturing specification would be accordance with WT0158

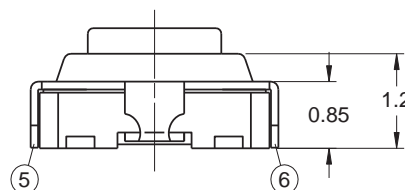
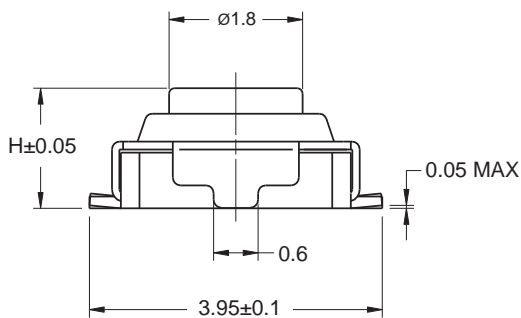
PART NO.(P/N.)



CIRCUIT DIAGRAM



P.C.B. LAND DIMENSION





SPECIFICATIONS

RATING: DC 12V 50mA

CONTACT RESISTANCE: 100 mΩ MAX.

CONTACT ARRANGEMENT: 1 poles 1 throws

TRAVEL: 0.20±0.10 mm

ACTUATING FORCE: 100±50 gf

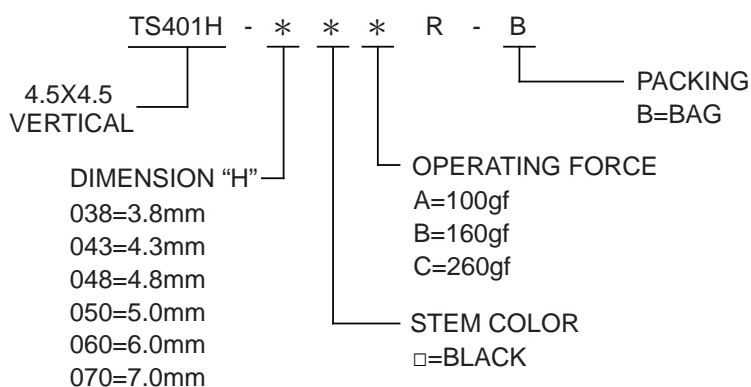
160±50 gf

260±80 gf

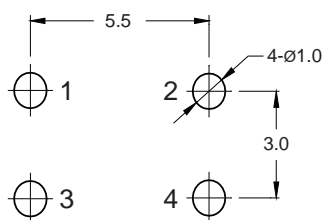
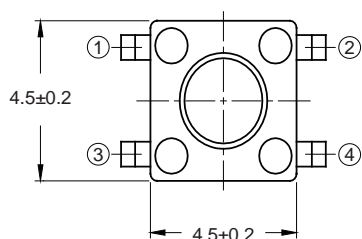
OPERATING TEMPERATURE RANG: -20°C to +70°C

Manufacturing specification would be accordance with WT0158

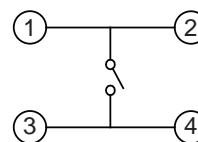
PART NO.(P/N.)



TS401VH-070xR-B	7.0 mm
TS401VH-060xR-B	6.0 mm
TS401VH-050xR-B	5.0 mm
TS401VH-048xR-B	4.8 mm
TS401VH-043xR-B	4.3 mm
TS401VH-038xR-B	3.8 mm
MODEL NO.	"H"



P.C.B LAND DIMENSION



CIRCUIT DIAGRAM

