



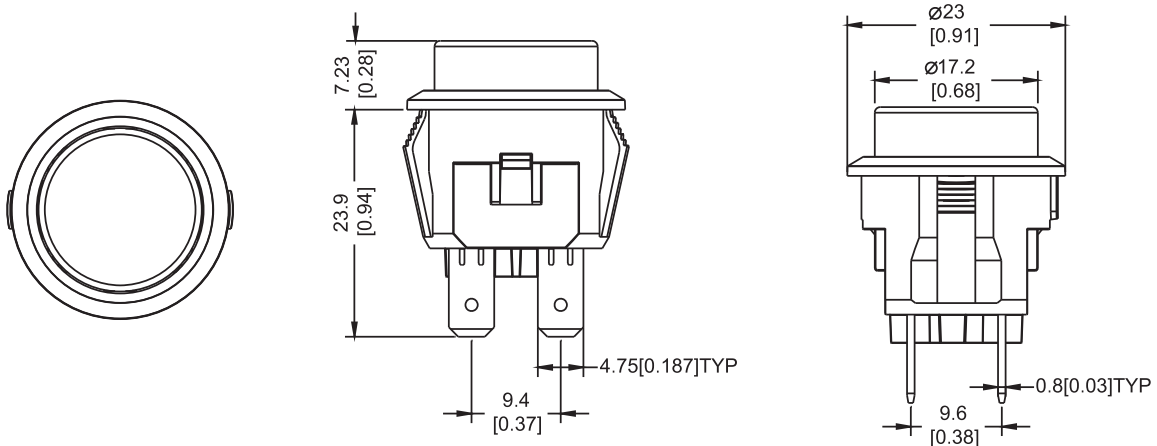
LC210 Series

Pushbutton Switches

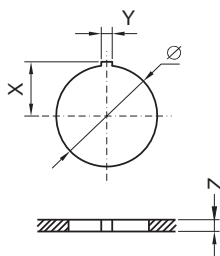
OPTIONS OF SWITCH FUNCTION

Item No	POLES & THROWS	Down	Center	Up
			••	
LC2101	SPST	ON	None	OFF
LC2102	SPST	(ON)	None	OFF
LC2105	DPST	ON	None	OFF
LC2106	DPST	(ON)	None	OFF
LC2107	DPST(with lamp)	ON	None	OFF
LC2108	DPST(with lamp)	(ON)	None	OFF

DIMENSION



PANEL CUT OUT



PANEL CUT OUT			
Z	Y	X	Ø
0.7~1.25	2	11	Ø20.5
1.25~2.0	2	11	Ø20.5
2.0~3.0	2	11	Ø20.5

CIRCUITS FOR SWITCH WITH LAMP

