

HOW TO ORDER

SPECIFICATION





Rating: 10A 250VAC, 15A 125VAC
Insulation resistance: DC 500V 200MΩ or more
Contact resistance: DC 24V 1A 20mΩ or less
Withstand voltage: AC 1500V OR MORE

PU □ □ □ □ - □ □

MODEL NO.: 703
 703A
 703B
 704-1
 704-1A
 705
 705A
 705B
 706-1
 706-1A

TERMINATIONS: H1
 H2
 H3
 H4
 H5

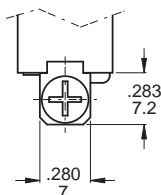
SWITCH FUNCTION

NO. POLES	MODEL NO.	SWITCH FUNCTION		CONNECTED TERMINALS	
		POS.1	POS.2	POS.1	POS.2
					
SPST	PU703	ON	OFF	1-3	—
	PU703A	OFF	(ON)	1-3	—
	PU703B	ON	(OFF)	1-3	—
SPDT	PU704-1	ON	ON	1-2	2-3
	PU704-1A	ON	(ON)	1-2	2-3
DPST	PU705	ON	OFF	1-3,4-6	—
	PU705A	OFF	(ON)	1-3,4-6	—
	PU705B	ON	(OFF)	1-3,4-6	—
DPDT	PU706-1	ON	ON	1-2,4-5	2-3,5-6
	PU706-1A	ON	(ON)	1-2,4-5	2-3,5-6

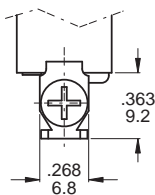
() = MOMENTARY

TERMINATION OPTIONS

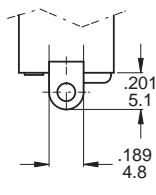
H1



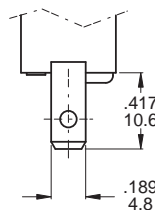
H2



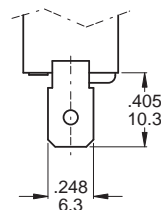
H3



H4

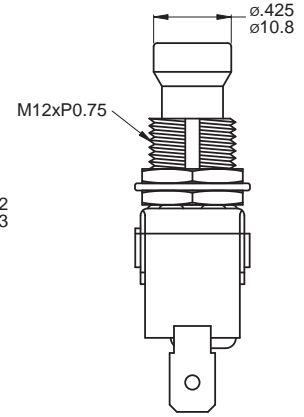
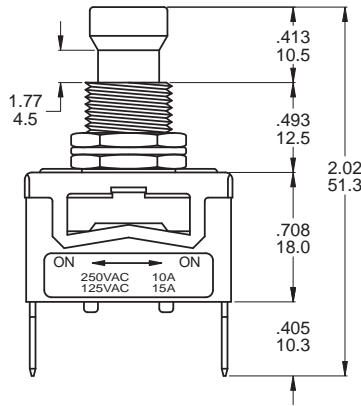
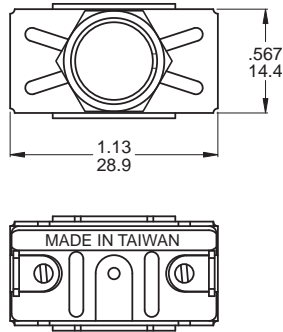


H5

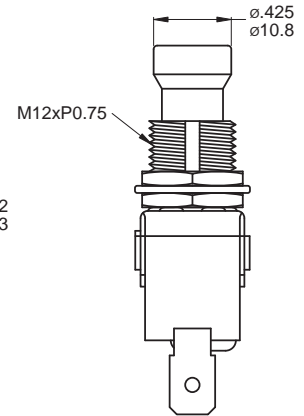
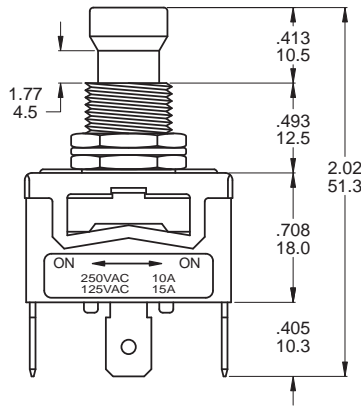
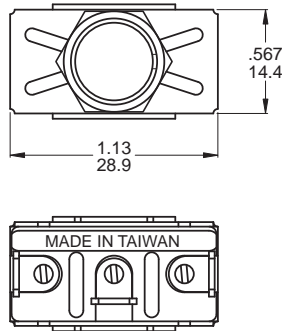


LPO Series

Pushbutton Switches

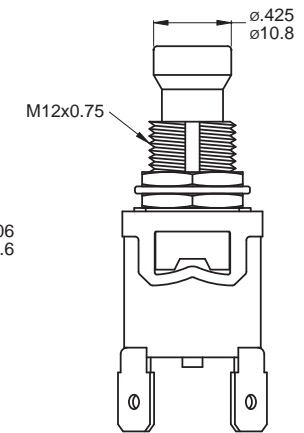
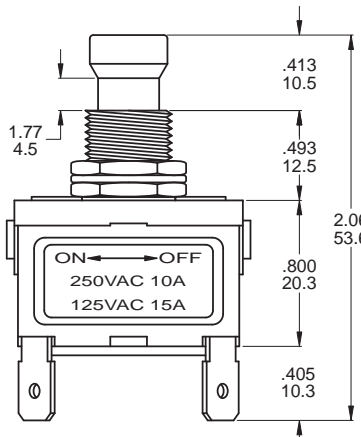
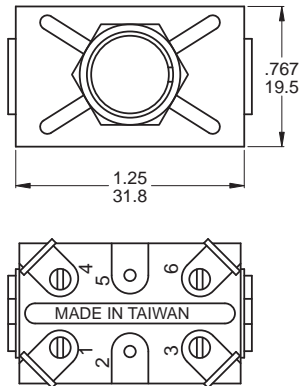


SPST
PU703-H5

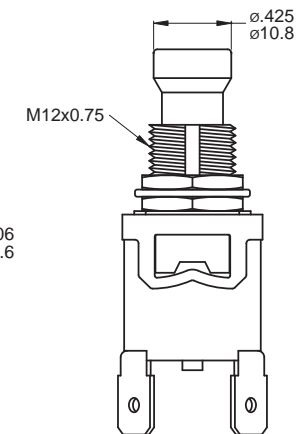
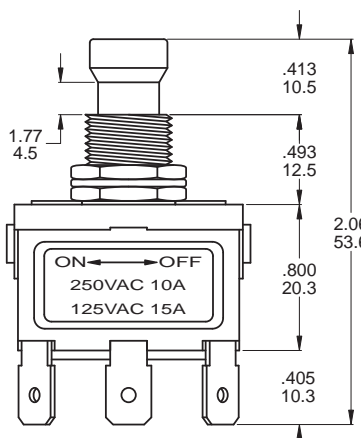
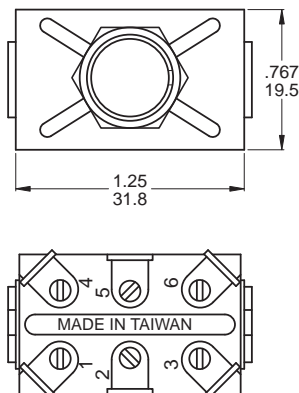


SPDT
PU704-1-H5

LPO
Pushbutton Switches



DPST
PU705-H5



DPDT
PU706-1-H5