

## HOW TO ORDER

### SPECIFICATION





**Rating:** 10A 250VAC, 15A 125VAC  
**Insulation resistance:** DC 500V 200MΩ or more  
**Contact resistance:** DC 24V 1A 20mΩ or less  
**Withstand voltage:** AC 1500V OR MORE

PU □ □ □ □ - □ □

MODEL NO.: 703  
 703A  
 703B  
 704-1  
 704-1A  
 705  
 705A  
 705B  
 706-1  
 706-1A

TERMINATIONS: H1  
 H2  
 H3  
 H4  
 H5

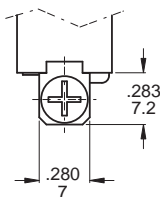
## SWITCH FUNCTION

NO. POLES	MODEL NO.	SWITCH FUNCTION		CONNECTED TERMINALS	
		POS.1	POS.2	POS.1	POS.2
					
SPST	PU703	ON	OFF	1-3	---
	PU703A	OFF	(ON)	1-3	---
	PU703B	ON	(OFF)	1-3	---
SPDT	PU704-1	ON	ON	1-2	2-3
	PU704-1A	ON	(ON)	1-2	2-3
DPST	PU705	ON	OFF	1-3,4-6	---
	PU705A	OFF	(ON)	1-3,4-6	---
	PU705B	ON	(OFF)	1-3,4-6	---
DPDT	PU706-1	ON	ON	1-2,4-5	2-3,5-6
	PU706-1A	ON	(ON)	1-2,4-5	2-3,5-6

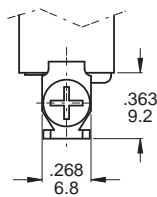
( ) = MOMENTARY

## TERMINATION OPTIONS

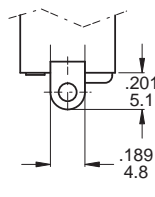
H1



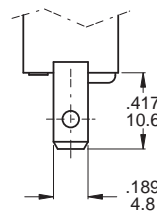
H2



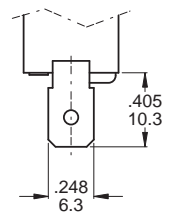
H3

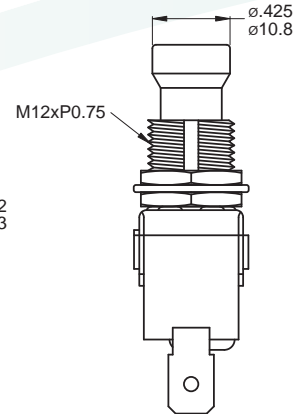
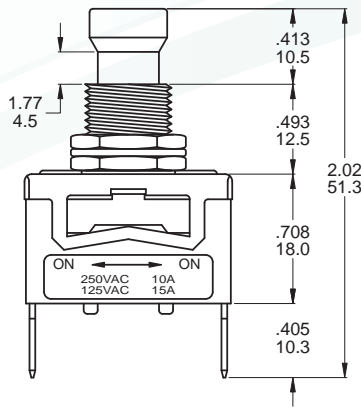
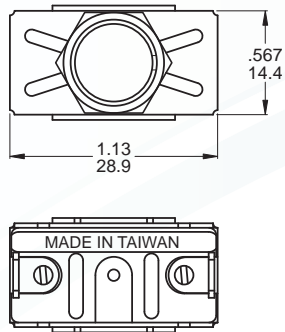


H4

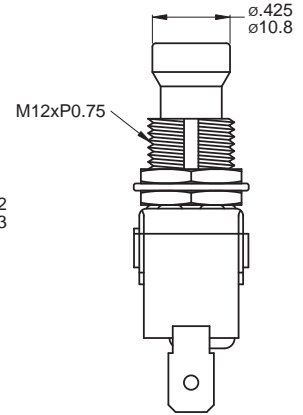
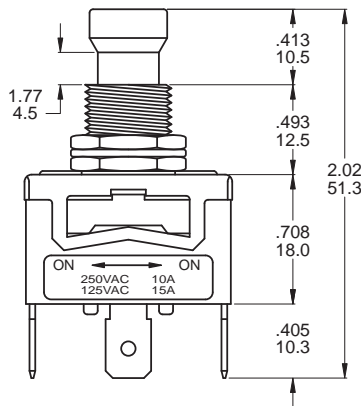
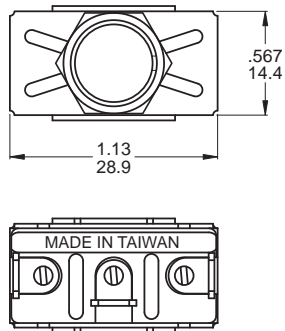


H5

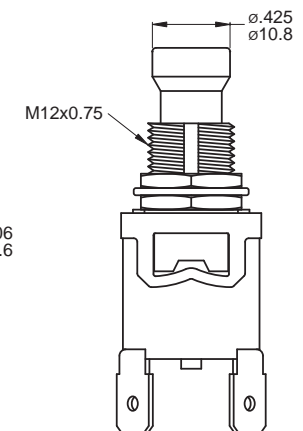
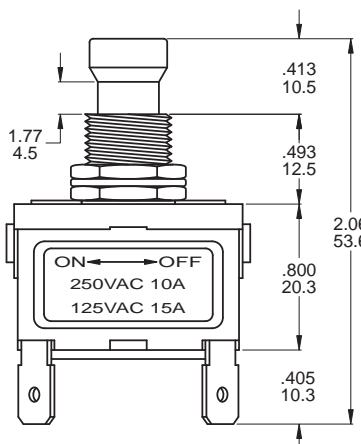
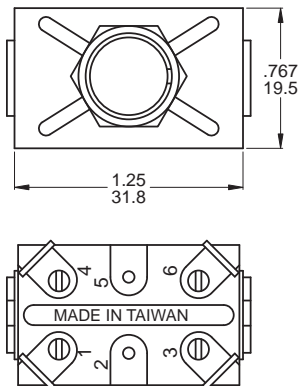




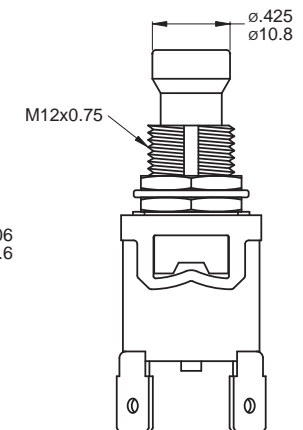
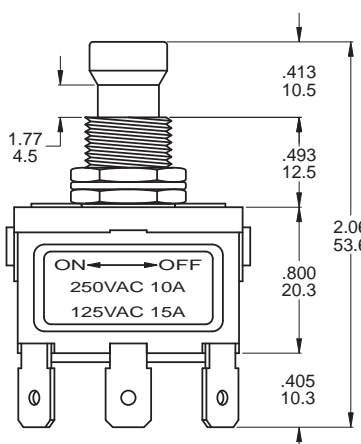
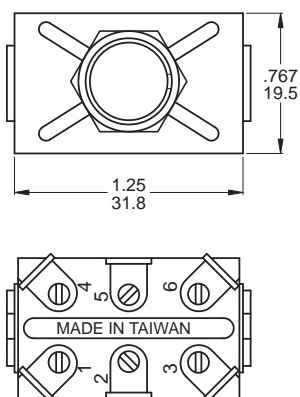
**SPST**  
**PU703-H5**



**SPDT**  
**PU704-1-H5**



**DPST**  
**PU705-H5**



**DPDT**  
**PU706-1-H5**