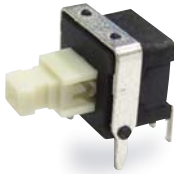


PS058 Series

Push Switches



SPECIFICATIONS

OPERATION: NON-LOCK

RATING: 12 V DC, 50mA

CONTACT RESISTANCE: 100 mΩ MAX.

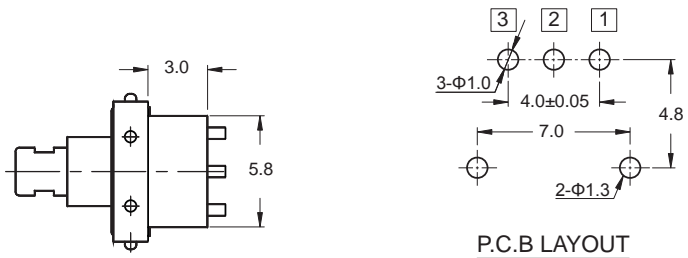
INSULATION RESISTANCE: 500 V DC, 100MΩ MIN.

OPERATING FORCE: 250 ± 50gf

OPERATION TEMPERATURE RANGE: -20°C~+70°C

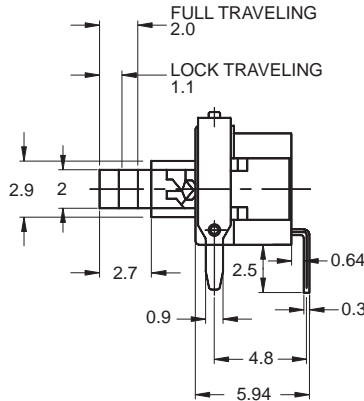
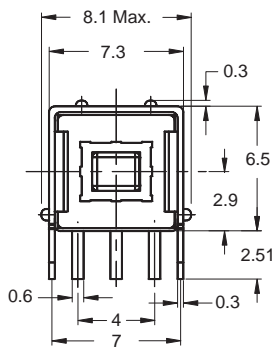
OPERATION LIFE: 50,000 CYCLES

SCHEMATIC



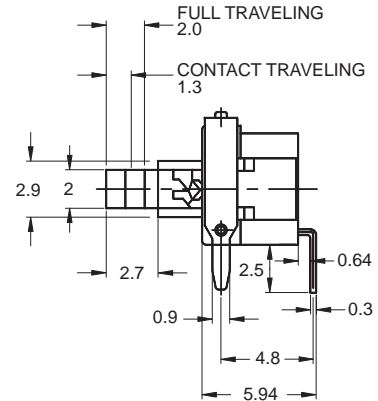
P.C.B LAYOUT

PS508
Pushbutton Switches



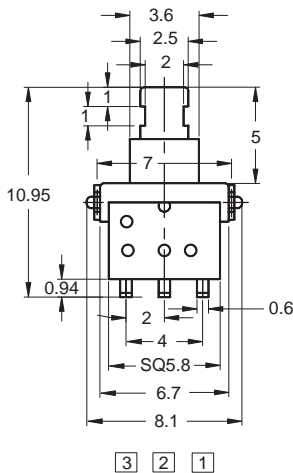
LOCK

Part No. shown: PS058AHP-LR-R



NO LOCK

Part No. shown: PS058AHP-NR-R



NO.	PARTS	MATERIALS	Q'TY	FINISH
7	TERMINAL	BRASS	2	SILVER PLATING
6	COVER BUSHING	SUS	1	
5	SPRING	SUS	1	
4	CONTACT	COPPER ALLOY	1	SILVER PLATING
3	BASE	NYLON	1	
2	COVER	NYLON	1	
1	KNOB	NYLON	1	