

WPM Series

Push Switches

SPECIFICATIONS

RATING:0.3A 50V DC

Contact Resistance:30mΩ

Insulation Resistance:100V DC 1Min 100mΩ

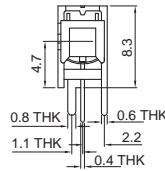
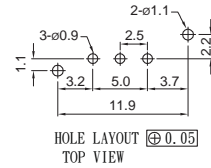
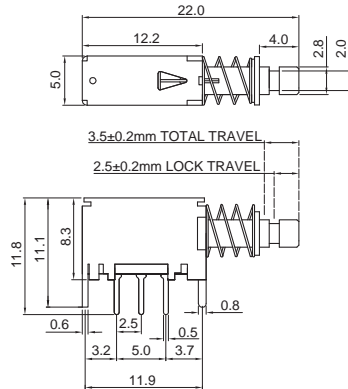
Withstand Voltage:AC 500V 1Min 0.5mA 1 Min

Operating Force:160gf±100gf

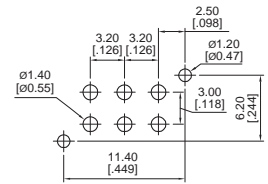
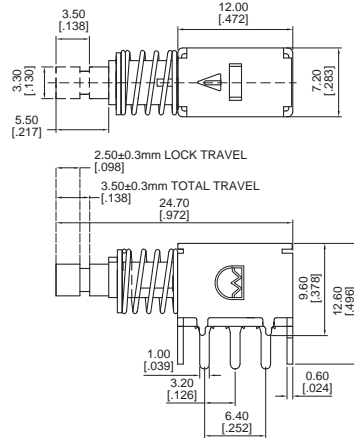
Life Test:10,000 Cycle 15~18 Cycle/Min



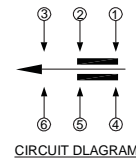
WPM-1PLB



WPM-2PLBY



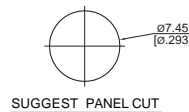
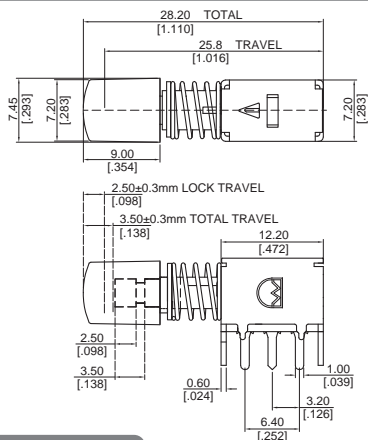
SUGGESTED PCB LAYOUT



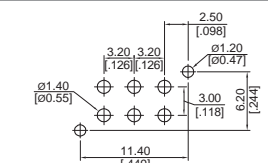
CIRCUIT DIAGRAM



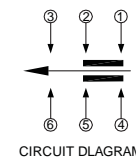
WPM-2PLBY-R759B



SUGGEST PANEL CUT



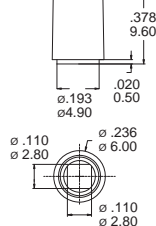
SUGGESTED PCB LAYOUT



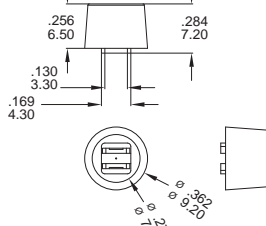
CIRCUIT DIAGRAM

CAP OPTIONS

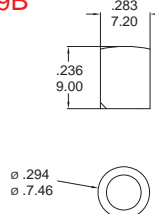
R69B



R837B



R759B



R88B

