

3A Series

Swaled Miniature Rocker & Paddle Switches

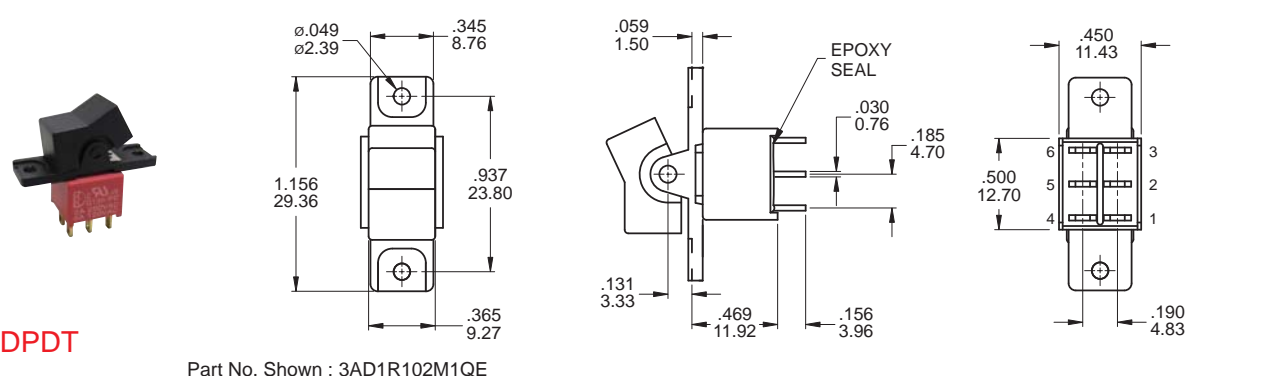
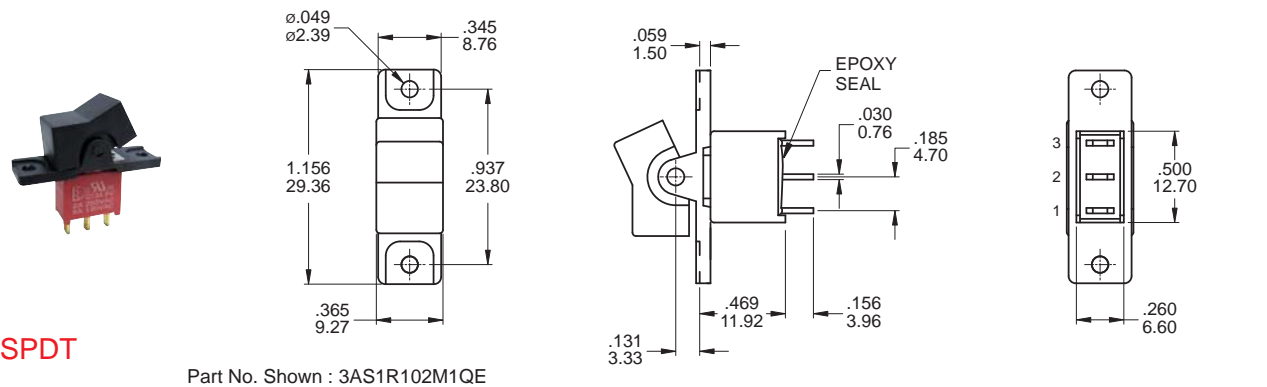
SWITCH FUNCTION

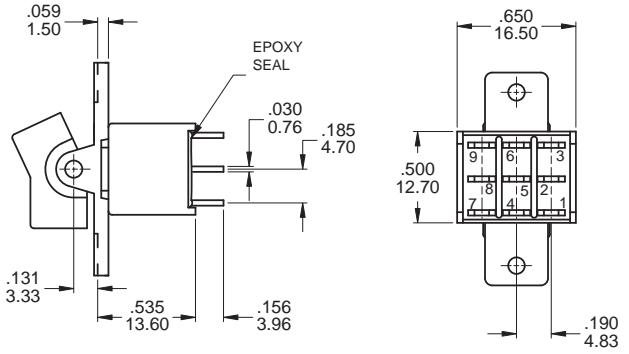
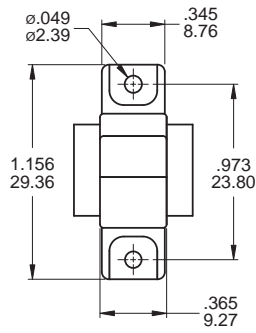
NO. POLES	UL/CSA MODEL NO.	MODEL NO.	SWITCH FUNCTION			CONNECTED TERMINALS / SCHEMATIC			
			POS.1	POS.2	POS.3	POS.1	POS.2	POS.3	
SP	Q13A11	3AS1	ON	NONE	ON	2-3	N/A	2-1	
	Q13A12	3AS2	ON	NONE	MOM				
	Q13A13	3AS3	ON	OFF	ON		OPEN		
	Q13A14	3AS4	MOM	OFF	MOM				
	Q13A15	3AS5	ON	OFF	MOM				
DP	Q13A21	3AD1	ON	NONE	ON	2-3,5-6	N/A	2-1,5-4	
	Q13A22	3AD2	ON	NONE	MOM				
	Q13A23	3AD3	ON	OFF	ON		OPEN		
	Q13A24	3AD4	MOM	OFF	MOM				
	Q13A25	3AD5	ON	OFF	MOM				
	▲	Q13A26	3AD6	ON	ON	ON	2-3,5-6	2-3,5-4	2-1,5-4
	▲	Q13A27	3AD7	MOM	ON	MOM			
	Q13A28	3AD8	ON	ON	MOM				
3P	Q13A31	3A31	ON	NONE	ON	2-3,5-6,8-9	N/A	2-1,5-4,8-7	
	Q13A32	3A32	ON	NONE	MOM				
	Q13A33	3A33	ON	OFF	ON		OPEN		
	Q13A34	3A34	MOM	OFF	MOM				
	Q13A35	3A35	ON	OFF	MOM				

MOM=MOMENTARY

▲ Please check the availability in advance before order

POLE OPTIONS



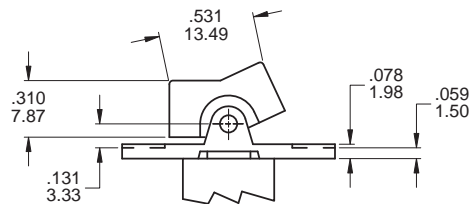
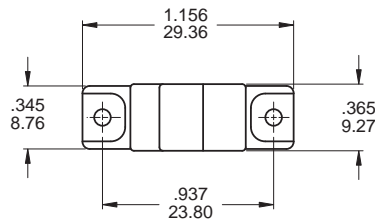


3PDT

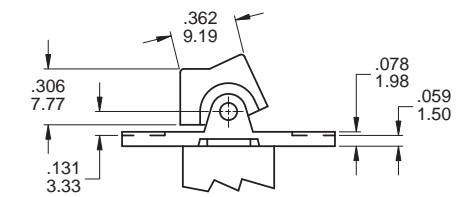
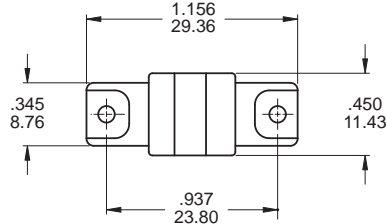
Part No. Shown : 3A31R102M1RE

ACTUATOR OPTIONS FOR PANEL MOUNT ONLY

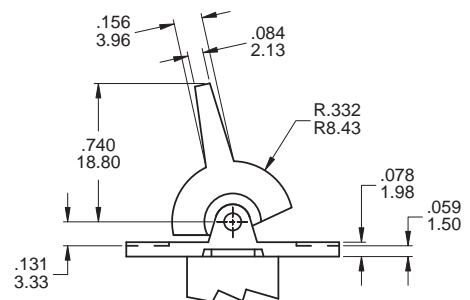
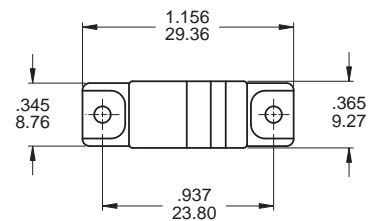
R1



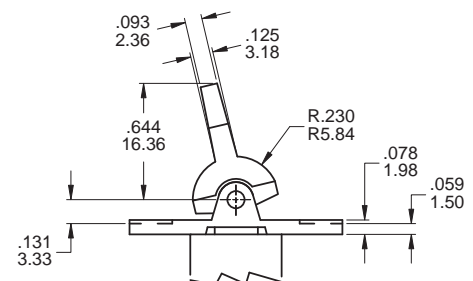
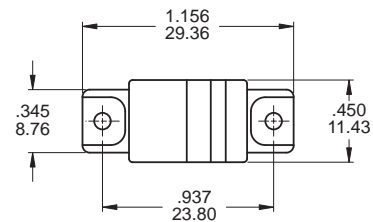
R11



R2



R12



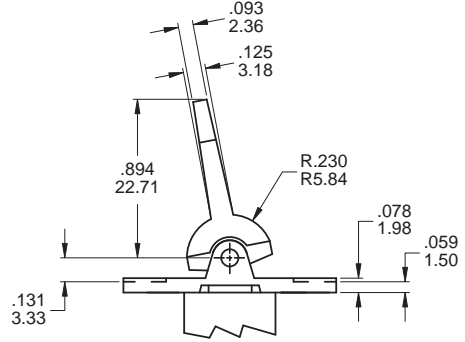
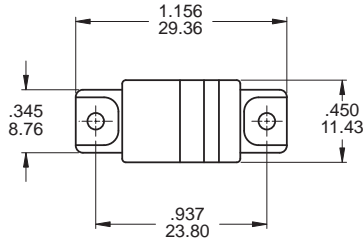
3A Series

Sealed Miniature Rocker & Paddle Switches

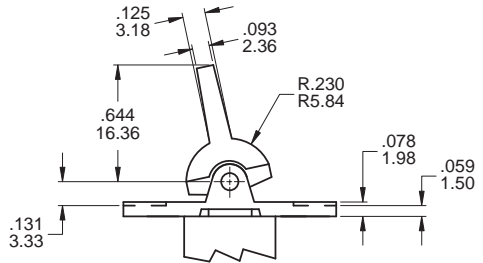
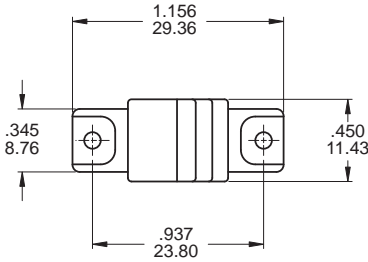


3A
Rocker Switches

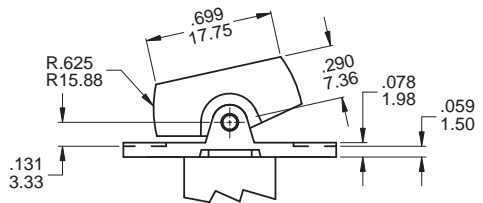
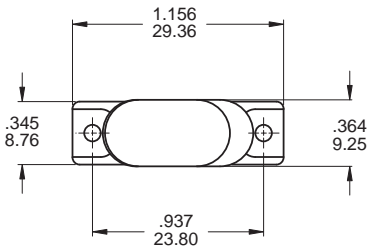
R13



R16

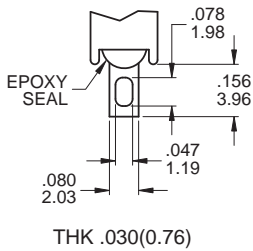


RB

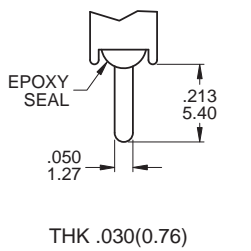


TERMINATION OPTIONS

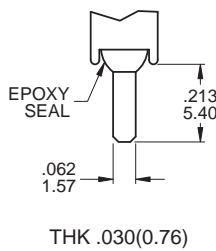
M1 Solder lug



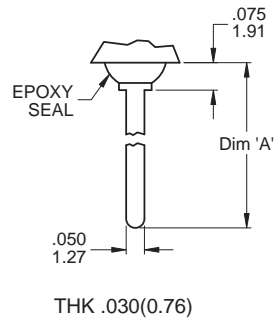
M2 PC Thru-hole



M3 Quick connect



M5 Wire Wrap



OTHER TERMINATION OPTIONS

M6 Right angle P.C. Mount

M7 Right angle P.C. Mount

VS2 Vertical bracket P.C. Mount

VS3 Vertical bracket P.C. Mount

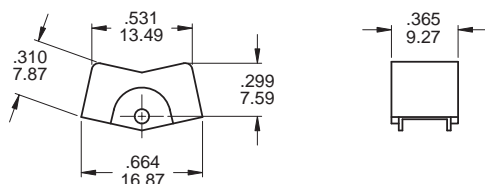
M6N Right angle P.C. Mount with snap-in bracket

V2N Vertical bracket P.C. Mount with snap-in bracket

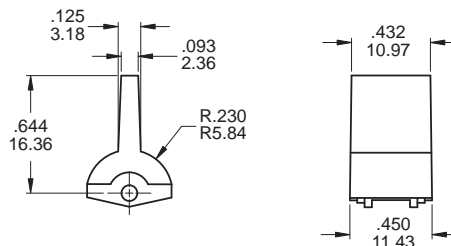
OPTION CODE	DIM. 'A'
M51	.736 (18.70)
M52	.953 (24.20)
M53	.415 (10.55)
M54	1.062 (26.97)

ACTUATOR OPTIONS FOR P.C. MOUNT ONLY

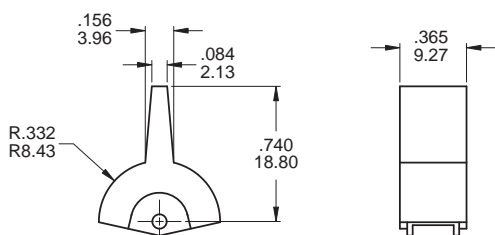
J1



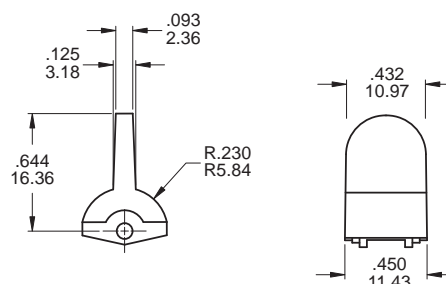
J6



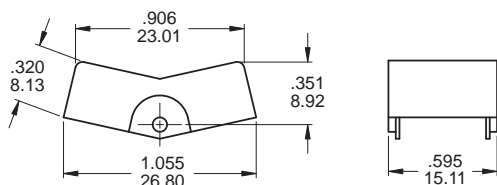
J2



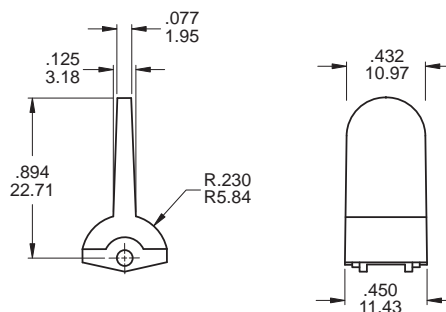
J7



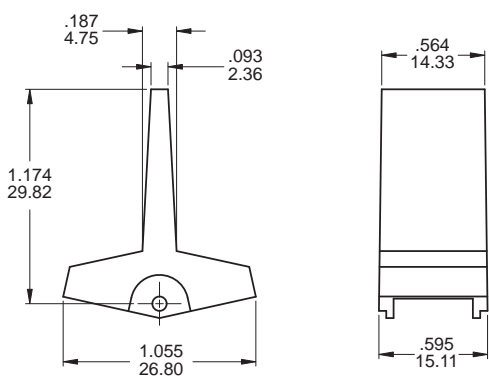
J3



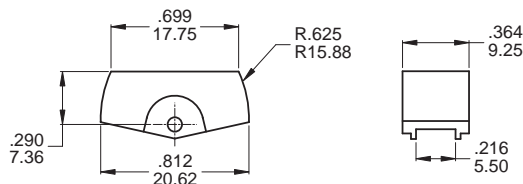
J8



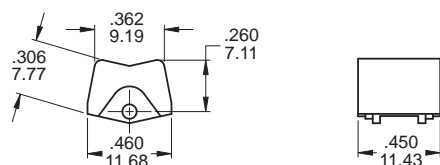
J4



JB



J5



Actuator colors:

ITEM NO	COLOR
1	White
2	Black (Std)
3	Red
4	Orange
5	Yellow
6	Green
7	Blue
8	Brown
9	Gray

* Besides standard color, other colors need to check stocks available.



3A
Rocker Switches

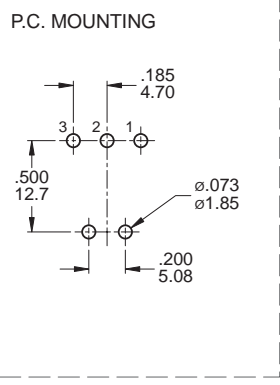
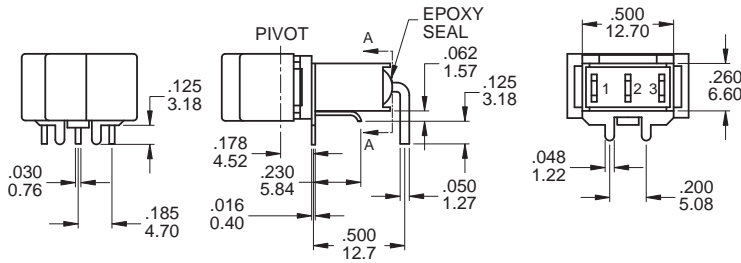
3A Series

Sealed Miniature Rocker & Paddle Switches



3A
Rocker Switches

M6

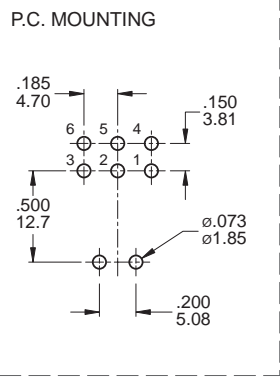
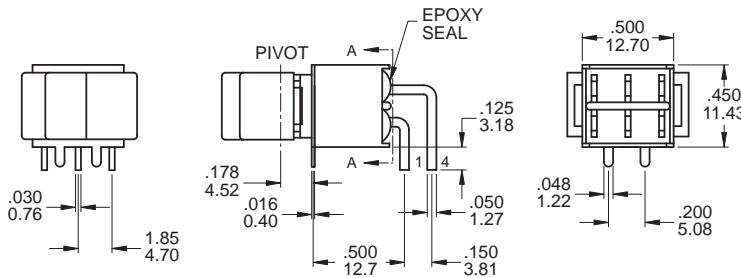


SPDT

Part No. Shown : 3AS1J102M6QE

SECTION A-A
TERM.NOS.FOR
REFERENCE ONLY

M6

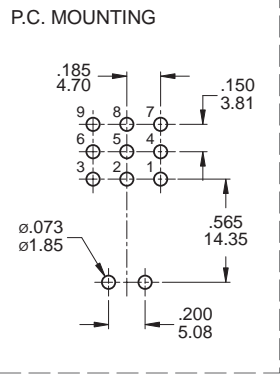
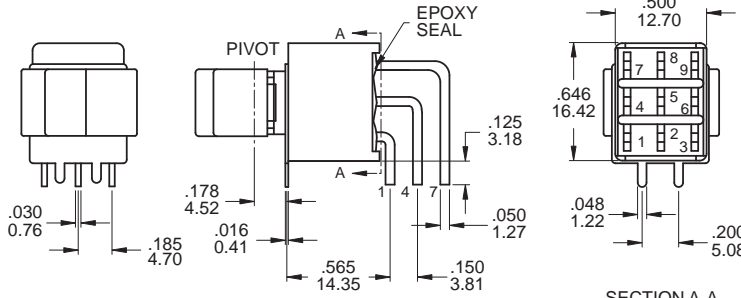


DPDT

Part No. Shown : 3AD1J102M6QE

SECTION A-A
TERM.NOS.FOR
REFERENCE ONLY

M6

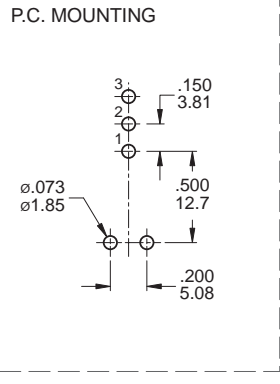
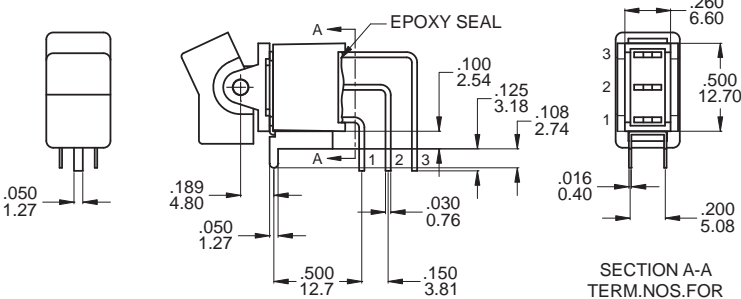


3PDT

Part No. Shown : 3A31J102M6RE

SECTION A-A
TERM.NOS.FOR
REFERENCE ONLY

M7

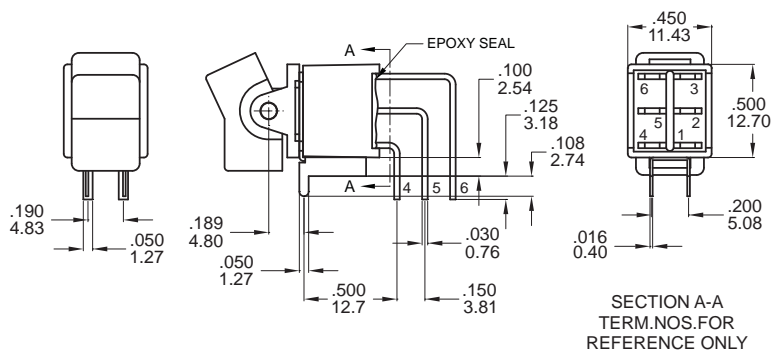


SPDT

Part No. Shown : 3AS1J102M7RE

SECTION A-A
TERM.NOS.FOR
REFERENCE ONLY

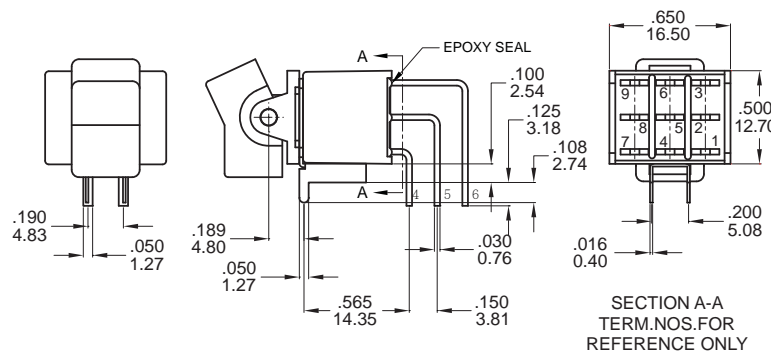
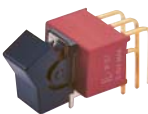
M7



Part No. Shown : 3AD1J102M7RE

DPDT

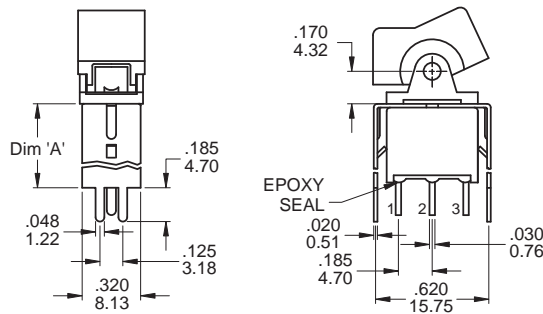
M7



Part No. Shown : 3A31J102M7RE

3PDT

VS2 - VS3

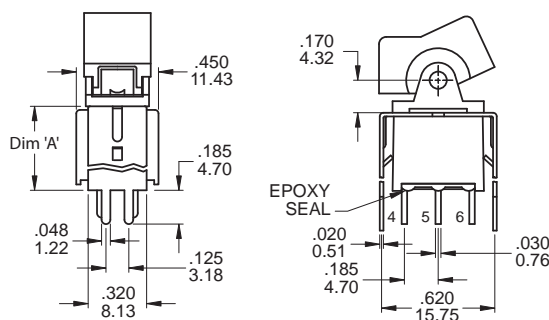


OPTION CODE	DIM. 'A'
VS2	.460 11.68
VS3	.630 16.00

Part No. Shown : 3AS1J102VS2QE

SPDT

VS2 - VS3



OPTION CODE	DIM. 'A'
VS2	.460 11.68
VS3	.630 16.00

Part No. Shown : 3AD1J102VS2QE

DPDT



3A Series

Sealed Miniature Rocker & Paddle Switches

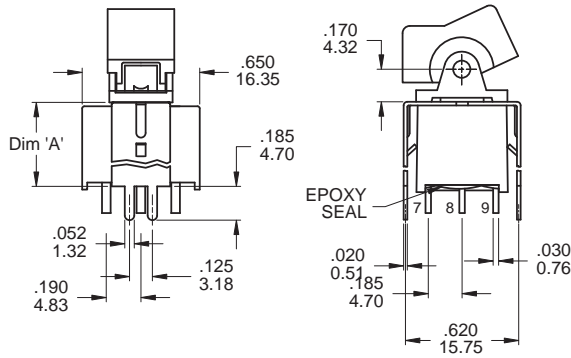


3A
Rocker Switches

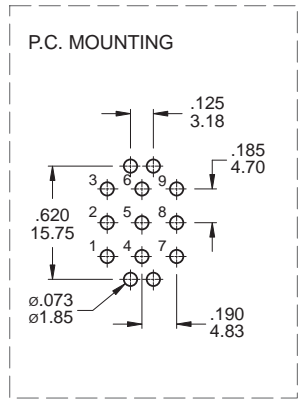
VS2 - VS3



3PDT



OPTION CODE	DIM. 'A'
VS2	.460 11.68
VS3	.630 16.00

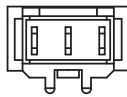
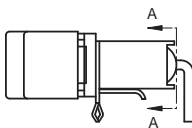


Part No. Shown : 3A31J102VS2RE

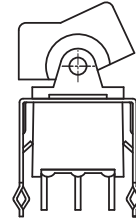
SNAP-IN TERMINATION OPTIONS

M6N

V2N



SECTION A-A



CONTACT MATERIAL OPTIONS

	CONTACT PLATING	TERMINAL PLATING	RATINGS
Q	Silver	Q = Gold flash over silver	5 Amps with resistant load @ 120VAC or 28VDC 2 Amps with resistant load @ 250VAC
C	Gold over Silver	C = Gold over silver	
R	Gold	R = Gold	0.4 Volt - Amps (VA) max. @ 20V max. (AC or DC)

SOLDERING PROCESSES

MANUAL SOLDERING: Use soldering iron of 30 watts, controlled at 350°C approximately 5 seconds while applying solder.

WAVE SOLDERING: Recommended Soldering Temperature: 270 ± 5°C

Duration of Solder Immersion: Max 5 sec. (PCB is 1.6mm in thickness)