



SPECIFICATION

Electrical Rating : 6A 250VAC/10A 125VAC(UL)
4(1)A 250VAC(VDE)
Mechanical life: Over 30000 cycles
Electrical life: Over 10000 cycles
Contact resistance: <20mΩ
Insulation resistance: >1000MΩ
High voltage resistance: >1500V 1 min.
Ambient temperature: Terminal side -20 to +85°C
Actuating side -20 to +55°C
Storage temperature: -30 ~ +85°C Max
Atmospheric humidity: Max.85%
Actuating force: 4N
Flammability: UL94 V-2
Temperature rise at the terminal: Max 30°C (UL1054)
Solder ability of terminal: Max 350°C, 3s

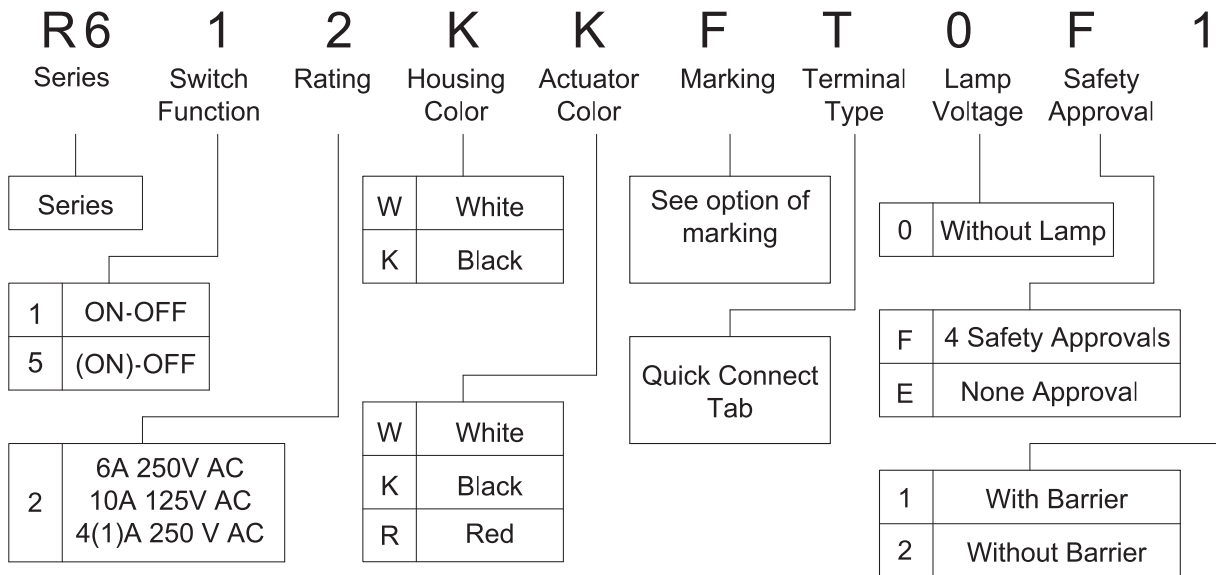
MATERIALS

Housing: PA 66
Rocker: PA66
Contacts: Silver Alloy
Terminal: Brass Silver Plated
Movable Arm: Copper Silver Plated


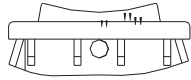
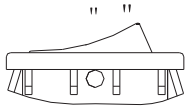


HOW TO ORDER

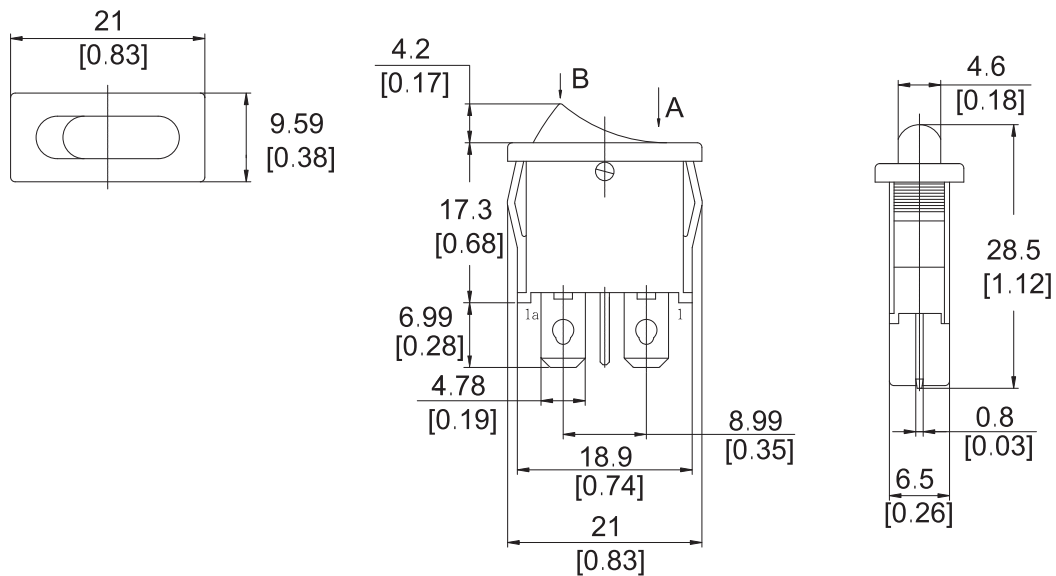
R6
Rocker Switches



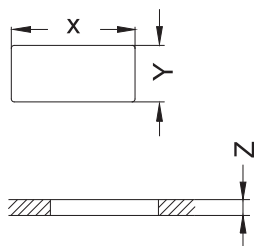
OPTIONS OF SWITCH FUNCTION

Item NO	POLES &THROWS	Rocker position ():Momentary		
		Left	Center	Right
				
R61	SPST	ON	None	OFF
R65	SPST	(ON)	None	OFF

DIMENSION



PANEL CUT OUT



Z	Y	X
0.70~1.25	6.65~6.75	19.20~19.30
1.25~2.00	6.65~6.75	19.25~19.35
2.00~3.00	6.65~6.75	19.30~19.40