

SPECIFICATION



Electrical Rating : 2A 125V AC/250V AC(UL,VDE)
 6A 250V AC(standard)(UL,VDE)
 15A 125V AC & 8A 250V AC(UL)

Mechanical life: Over 30000 cycles
 Electrical life: Over 10000 cycles
 Contact resistance: <20mΩ
 Insulation resistance: >1000MΩ
 High voltage resistance: >1500VAC 1 min.
 Ambient temperature: Terminal side -20 to +85°C
 Actuating side- 20 to +55°C
 Atmospheric humidity: Max.85%
 Actuating force: 3 to 6N(depends on different switch function)
 Flammability: UL94V-2 & UL94V-0
 Storage temperature: -30 to +80°C Max
 Temperature rise at the terminal: Max 30°C (UL1054)
 Solder ability of terminal: Max 350°C 3s

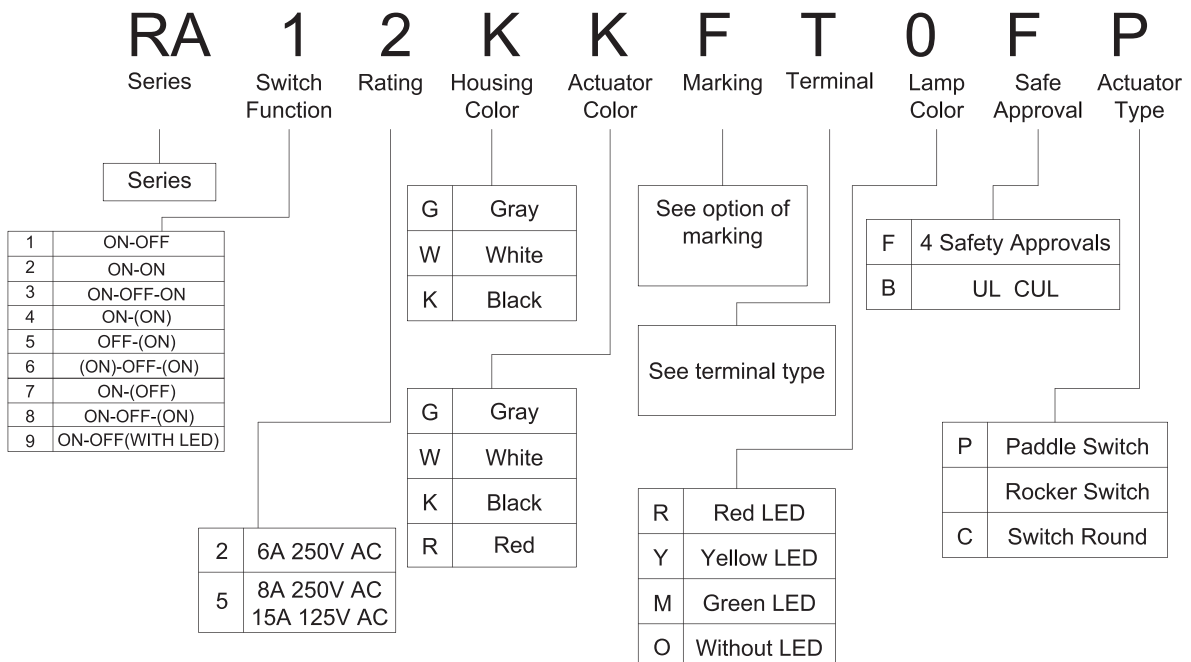
MATERIALS

Housing: PA 66
 Rocker: PA 66 & PC
 Contacts: Silver alloy
 Terminal: Copper or brass silver plated,phosphorus bronze
 Spring: SWC
 Movable arm: Copper silver plated
 Lamp: LED
 Bracket: PA66



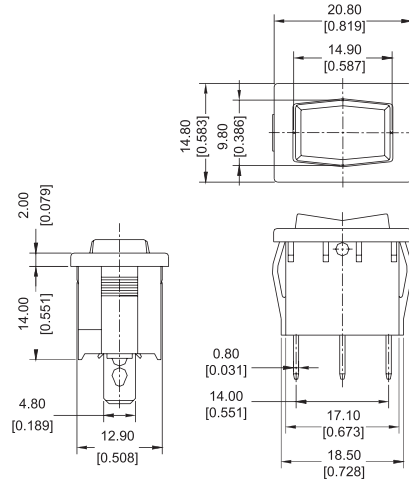
HOW TO ORDER

RA (R19A)
Rocker Switches

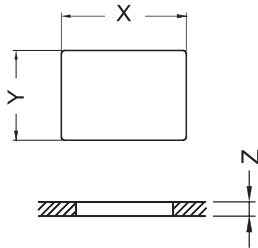


OPTIONS OF SWITCH FUNCTION / DIMENSION

Item No	POLES & THROWS	Rocker position ():Momentary		
		Left	Center	Right
RA1	SPST	ON	None	OFF
RA2	SPDT	ON	None	ON
RA3	SPDT	ON	OFF	ON
RA4	SPDT	ON	None	(ON)
RA5	SPST	OFF	None	(ON)
RA6	SPDT	(ON)	OFF	(ON)
RA7	SPST	ON	None	(OFF)
RA8	SPDT	ON	OFF	(ON)
RA9	SPST (With LED)	ON	None	OFF

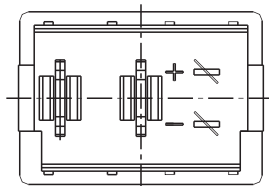


PANEL CUT OUT

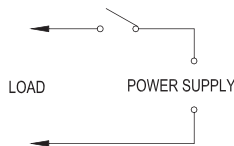


Z	Y	X
0.7~1.25	12.8~12.9	19.2~19.3
1.25~2.0	12.8~12.9	19.3~19.4
2.0~3.0	12.8~12.9	19.5~19.6

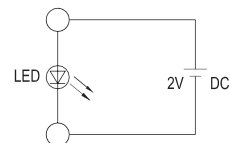
CIRCUITS FOR SWITCH WITH LAMP



CIRCUIT FOR LOAD

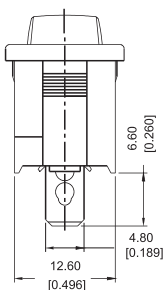


CIRCUIT FOR LED

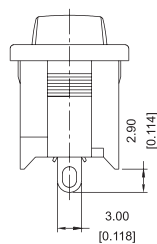


TERMINAL TYPE

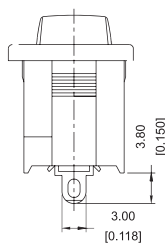
T&H



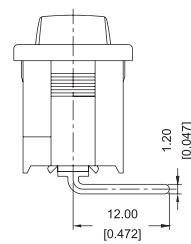
S



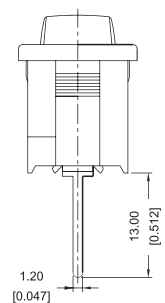
W



R



P



T(Quick connect tab:Thickness of 0.8mm)
H(Quick connect tab:Thickness of 0.5mm)