



SPECIFICATIONS

ELECTRICAL RATING : DC 15V 2.5A

CONTACT RESISTANCE : 20 mΩ (initial)

INSULATION RESISTANCE : > 1000 MΩ

(500VDC between open contacts)

DIELECTRIC STRENGTH : > 1500V@ 1 minute

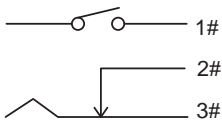
ELECTRICAL LIFE : 6,000 cycles

TEMPERATURE RISE AT THE TERMINAL : Max.30°C

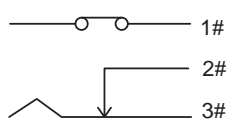
SOLDER ABILITY OF TERMINAL : Max 350°C,3S (no pressure may be placed in the terminals when soldering by hand)

Any Cd Pb Hg etc and it's compounds is not include in this product

SCHEMATIC



OPEN CIRCUIT



CLOSED CIRCUIT

MATERIALS

CASE&HOUSING: Glass filled Nylon 6/6,black.

ACTUATOR : Glass filled Nylon 6/6,Black.

CONTACT : Copper alloy,silver plated.

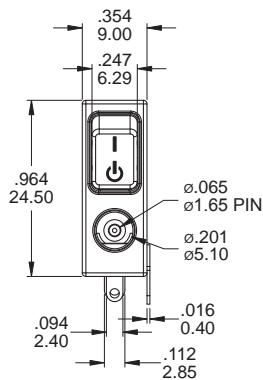
TERMINALS : Copper alloy,silver plated.

PIN : Brass,nickel plated.

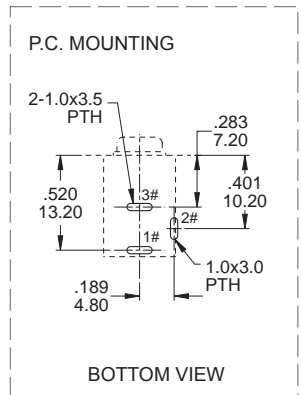
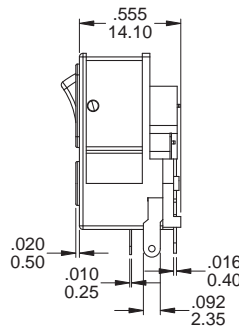
MODEL OPTIONS



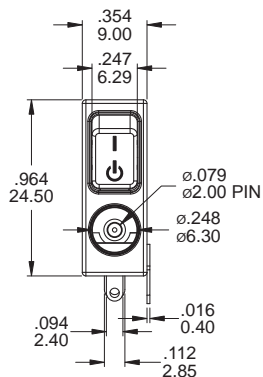
SPST



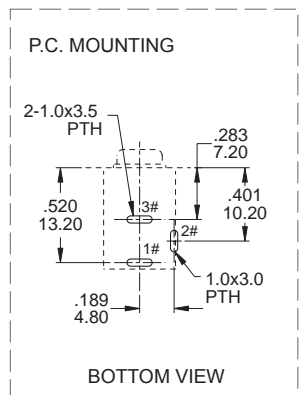
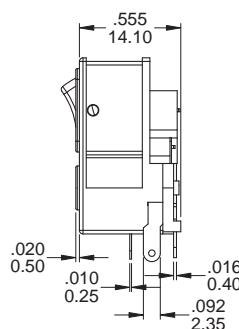
Part No. Shown : RJ-001



SPST



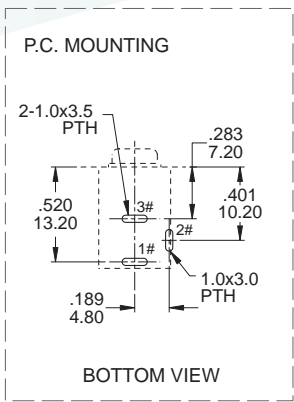
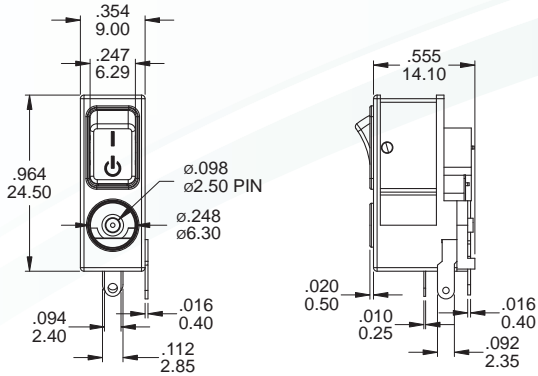
Part No. Shown : RJ-002





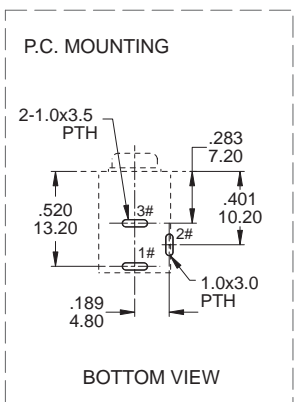
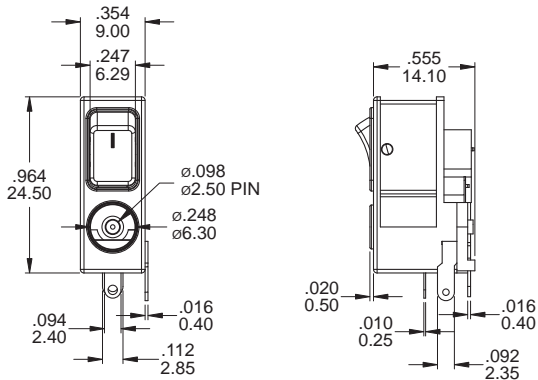
SPST

Part No. Shown : RJ-003



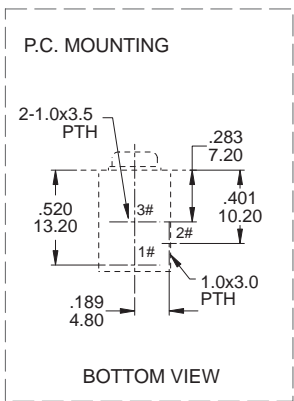
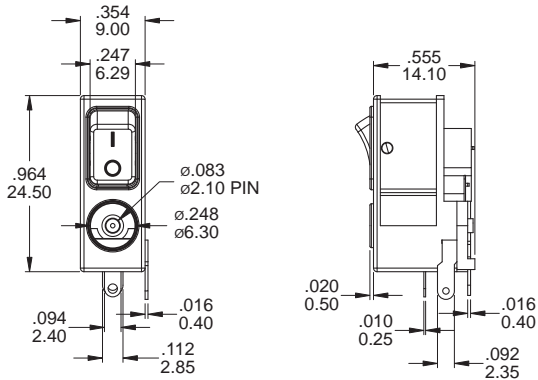
SPST

Part No. Shown : RJ-004



SPST

Part No. Shown : RJ-005



SPST

Part No. Shown : RJ-009

