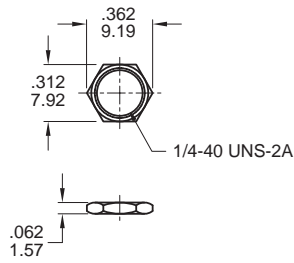
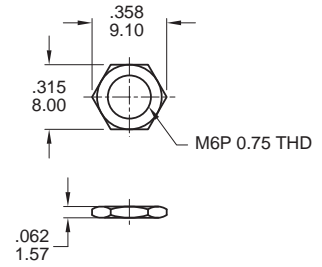


## NUT

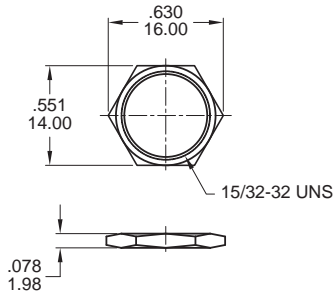
MNU-1M01A



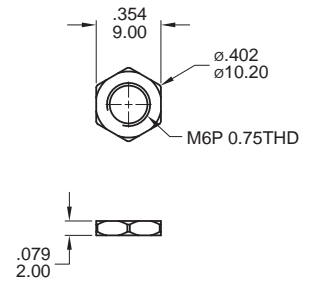
MNU-1M04



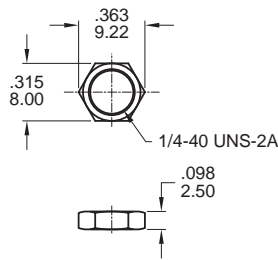
MNU-1M07



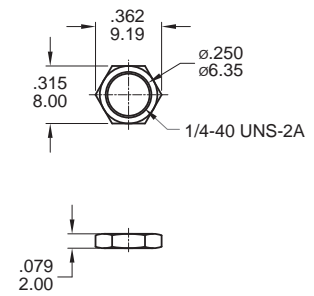
MNU-1M41



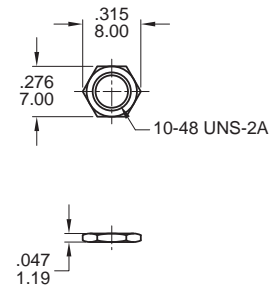
MNU-1M17



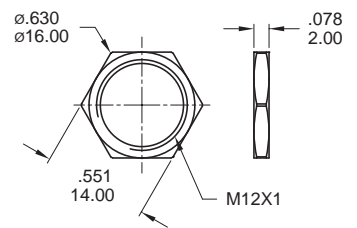
MNU-7M01



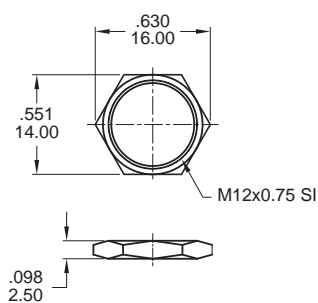
MNU-2M01



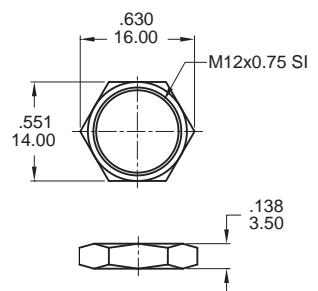
MNU-1M42



MNU-PA03



MNU-PA04



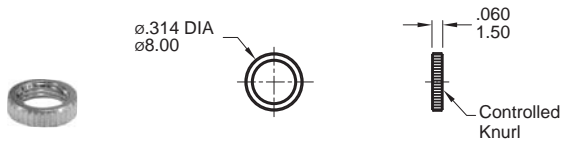
# Additional Hardware Information

※Need to check stocks available

## DRESS NUT

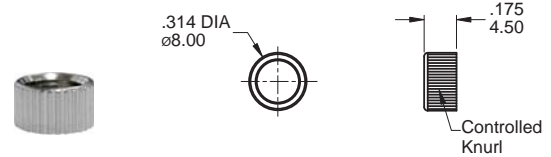
### MNU-1M18

1/4-40 UNS-2A



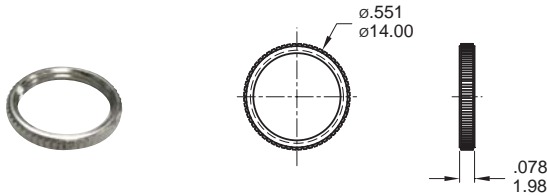
### MNU-1M24

1/4-40 UNS-2A



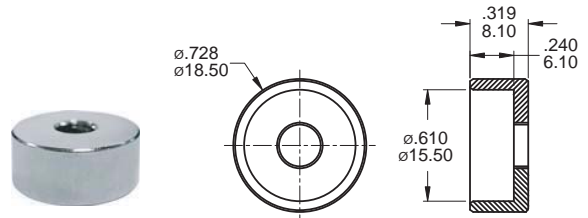
### MNU-1M52

15/32-32 UNS-2A



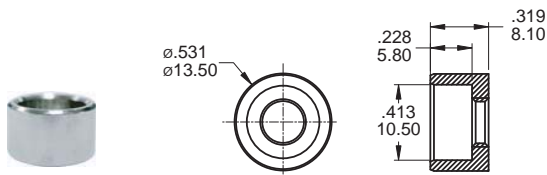
### MNU-1M19

1/4-40 UNS-2A



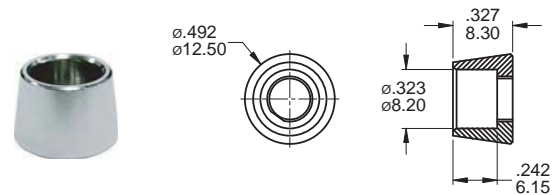
### MNU-1M20

1/4-40 UNS-2A



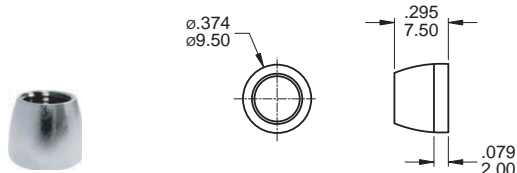
### MNU-1M21

1/4-40 UNS-2A



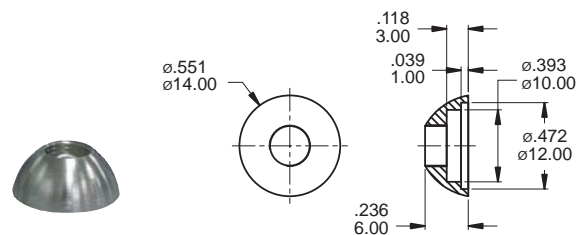
### MNU-1M32

1/4-40 UNS-2A



### MNU-1M48

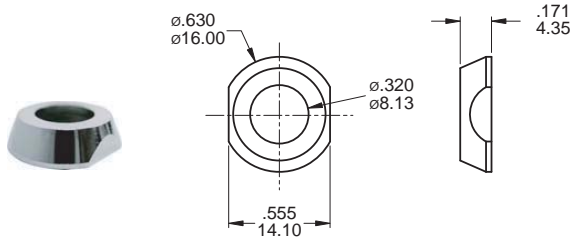
1/4" 40T



## DRESS NUT

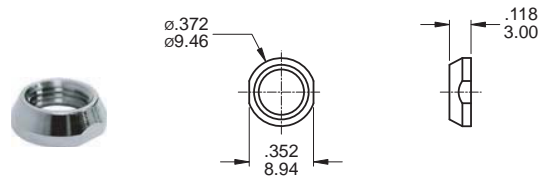
### MNU-1M16

15/32-32 UNS-2A



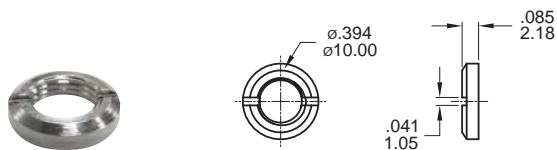
### MNU-1M29

1/4-40 UNS-2A



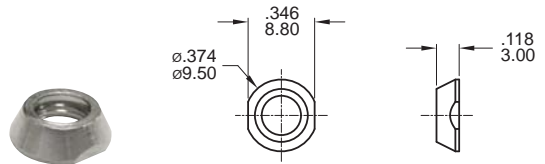
### MNU-1M45

1/4-40 UNS-2A



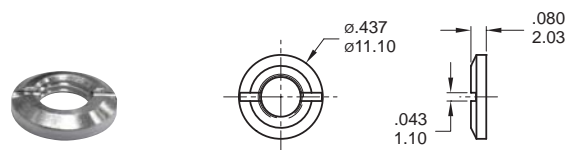
### MNU-1M47

M6x0.75 THD



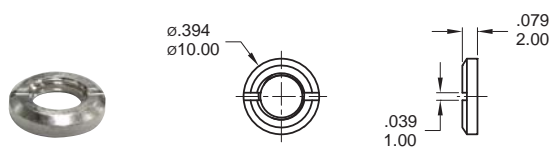
### MNU-1M50

M6P 0.75 THD



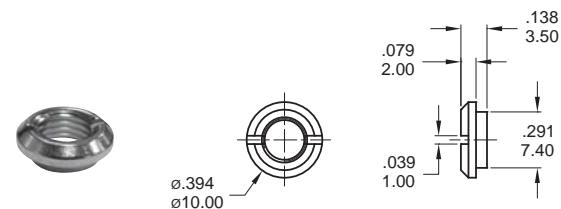
### MNU-1M53

M6P 0.75 THD



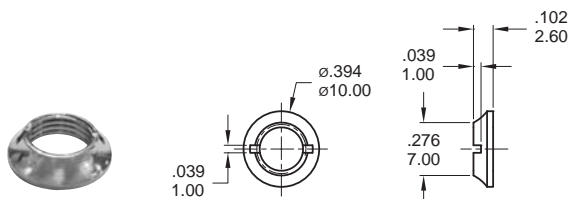
### MNU-1M56

M6x0.75THD



### MNU-1M57

1/4-40 UNS-2A

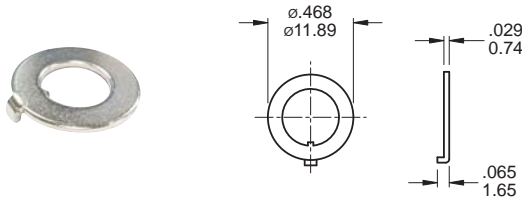


# Additional Hardware Information

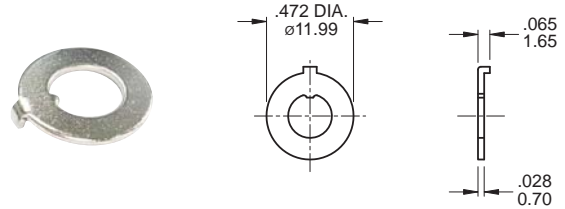
※Need to check stocks available

## LOCKING RING

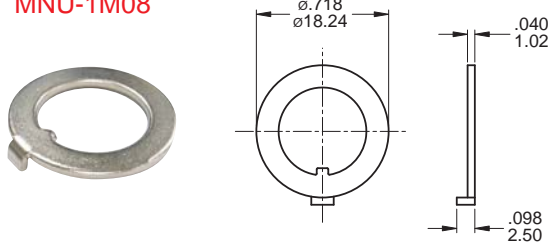
MNU-1M02



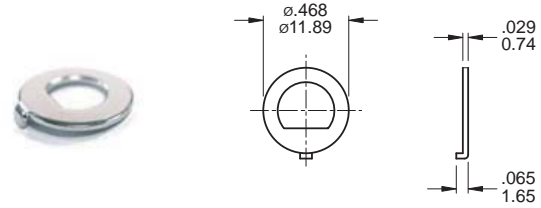
MNU-1M05



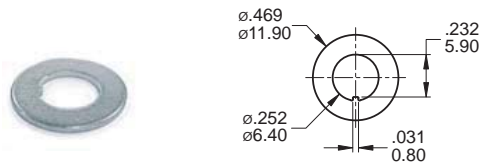
MNU-1M08



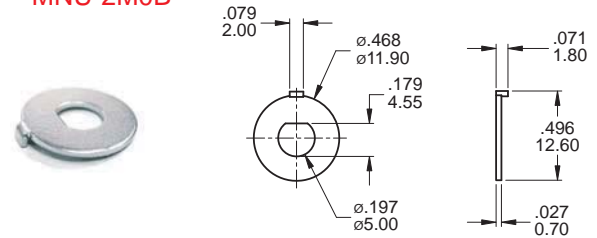
MNU-1M11



MNU-1M02P

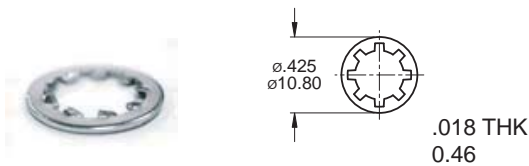


MNU-2M0B

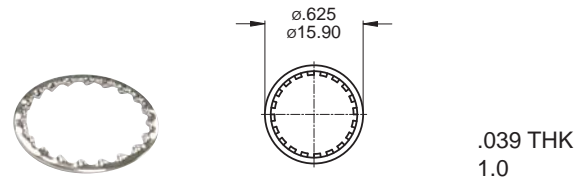


## LOCKWASHER

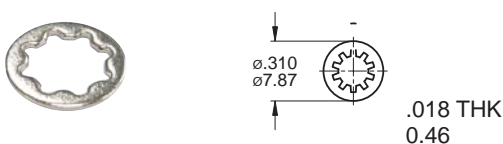
MNU-1M03



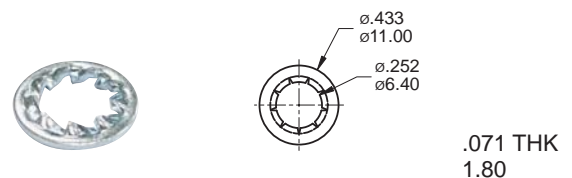
MNU-1M09



MNU-2M03

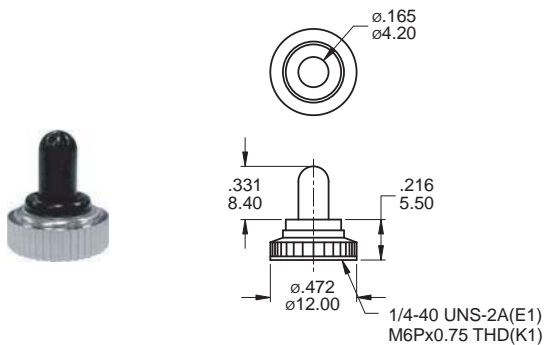


MNU-1M27

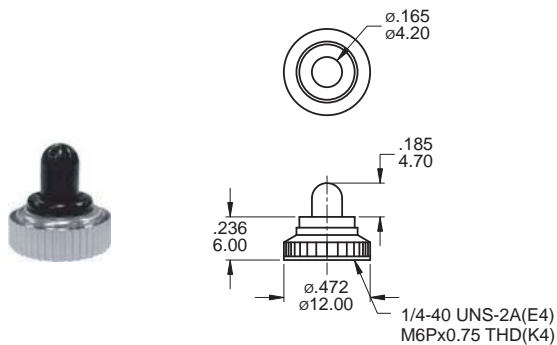


## RUBBER - HOOD

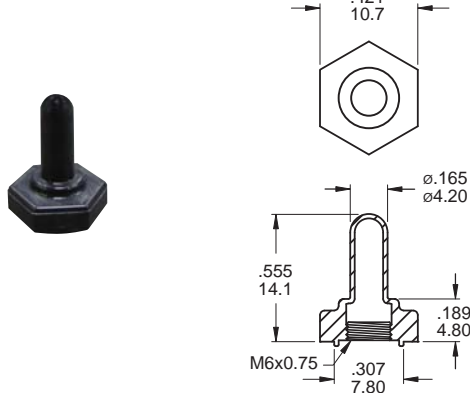
E1-RUBBER-HOOD  
K1-RUBBER-HOOD



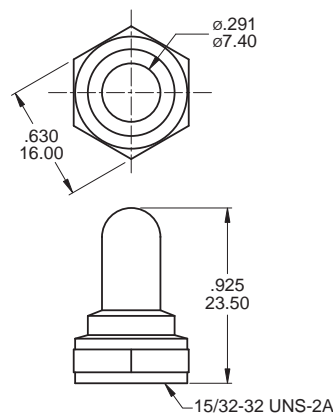
E4-RUBBER-HOOD  
K4-RUBBER-HOOD



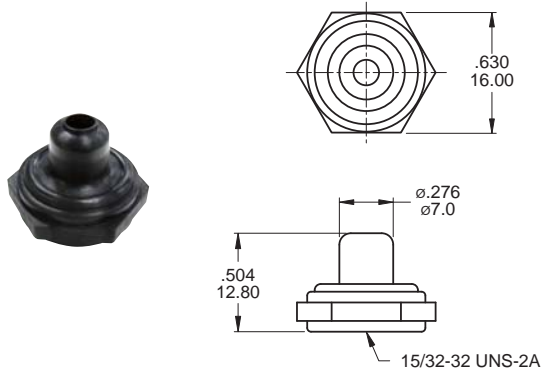
PU2-ET-102



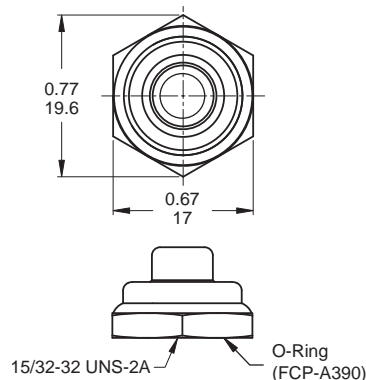
PU2-WB-A7A



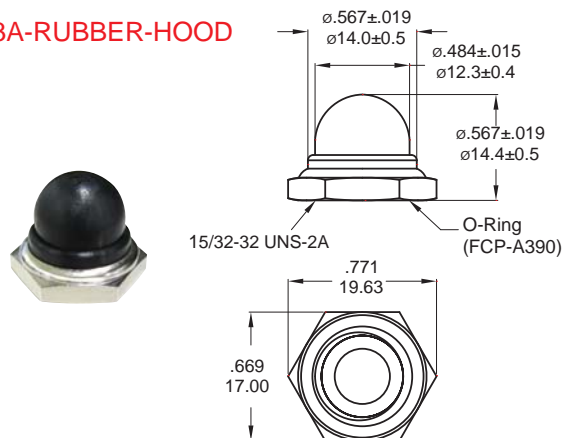
PG1-RUBBER-HOOD



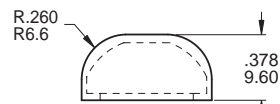
PG2A-RUBBER-HOOD



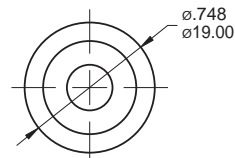
PG3A-RUBBER-HOOD



FCP-P003-2  
(Black cap)



FCP-P003  
(Transparent cap)



※ Supplied with PA series



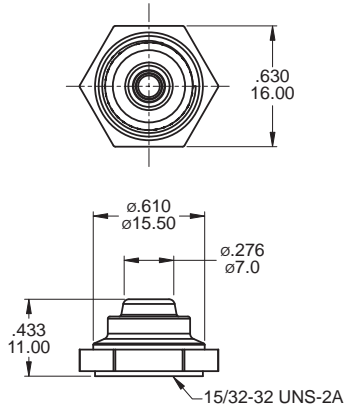
# Additional Hardware Information

※Need to check stocks available

## RUBBER - HOOD

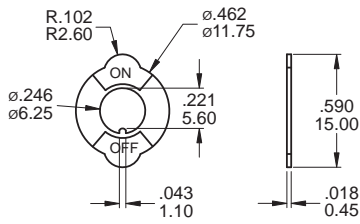
### PF2-RUBBER-HOOD

\*Si-20°



## NAMEPLATE

### MNU-1M10



### MNU-1M22

