

# Transient Voltage Suppression Diodes: SMAF Series

## SMD Low Profile Type 400 W

### ■ Features

1. Low profile and space saving
2. RoHS compliant and halogen-free
3. Reliable low cost construction utilizing molded plastic technique
4. Glass passivated chip junction
5. Both bi-directional and uni-directional devices are available
6. Typical IR less than 1µA above 11V
7. Fast response time
8. Excellent clamping capacity
9. 400 W peak pulse power capability with a 10/1000 µs waveform, repetition rate (duty cycle): 0.01%



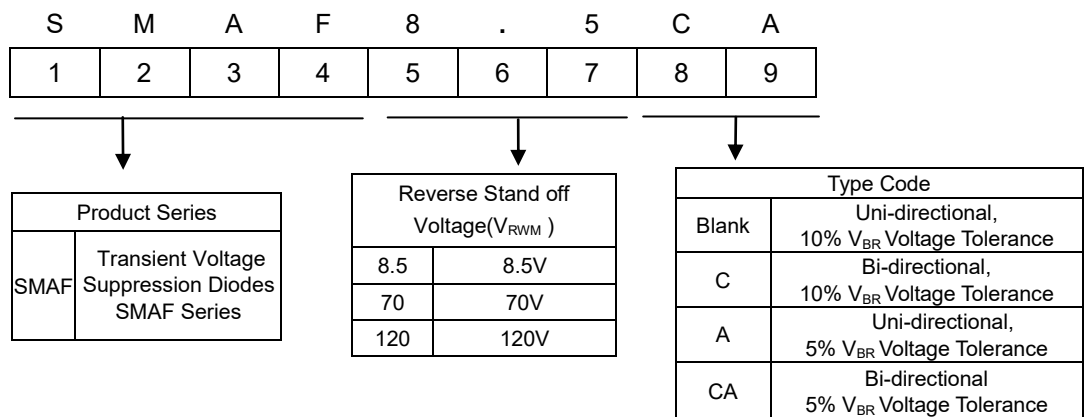
### ■ Recommended Applications

1. Telecommunication
2. Computer
3. Industrial device
4. Consumer electronic device

### ■ Mechanical Data

1. Case: SMA-FL, molded plastic meets UL flammability rating 94V-0
2. Terminal: Matte Tin-plated leads, solderable per MIL-STD-750, Method 2026.
3. Polarity: The band denotes cathode (Note: no polarity indicator for bi-directional devices)

### ■ Part Number Code

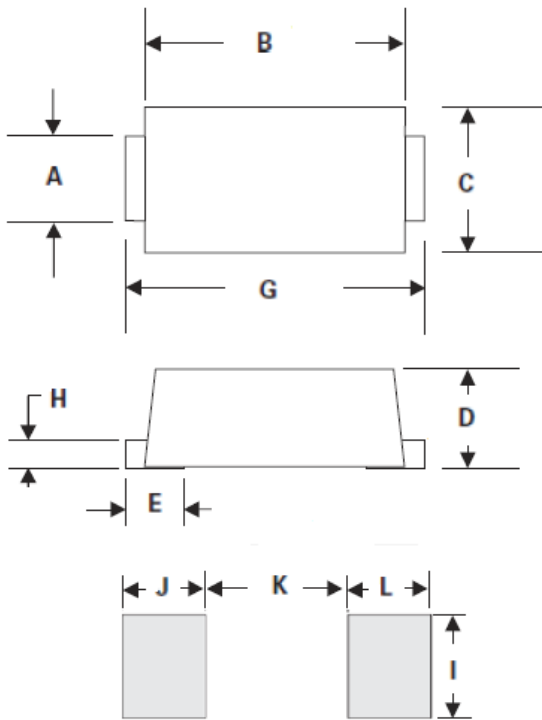


# Transient Voltage Suppression Diodes: SMAF Series

## SMD Low Profile Type 400 W

### Structures and Dimensions

#### SMA-FL



Item	Millimeters		Inches	
	Min.	Max.	Min.	Max.
A	1.25	1.65	0.049	0.065
B	3.2	4.6	0.126	0.181
C	2.25	2.95	0.088	0.116
D	0.9	1.45	0.035	0.057
E	0.6	1.5	0.024	0.059
G	4.35	5.28	0.171	0.208
H	0.1	0.4	0.003	0.016
I	1.9	-	0.075	-
J/L	1.6	-	0.063	-
K	-	2.7	-	0.106

### Maximum Rating (TA=25°C unless otherwise noted)

Parameter	Symbol	Value	Unit
Peak pulse power dissipation at TA=25 °C by 10/1000µs waveform (Note1, Fig.1)	P <sub>PPM</sub>	400	W
Peak Pulse Current of on 10/1000us waveform.(Note1, Fig.3)	I <sub>PPM</sub>	See Table	A
Peak forward surge current, 8.3ms single half sine wave on rated load (Fig.6)	I <sub>FSM</sub>	40	A
Steady State Power Dissipation at TL =75°C	P <sub>D</sub>	1.0	W
Operating junction and storage temperature range	T <sub>J</sub> , T <sub>STG</sub>	-55~+150	°C

Notes: 1. Non-repetitive current pulse, per Fig. 3 and derated above TA = 25°C per Fig. 2.

2. 8.3ms single half sine-wave, or equivalent square wave, Duty cycle = 4 pulses per minutes maximum.

# Transient Voltage Suppression Diodes: SMAF Series

## SMD Low Profile Type 400 W

### ■ Electrical Characteristics ( $T_A=25^\circ\text{C}$ unless otherwise noted)

Part No. (Uni)	Part No. (Bi)	Reverse Stand off Voltage	Breakage Voltage VBR @ IT		Test Current	Maximum Clamping Voltage VC @ Ipp	Maximum Peak Pulse Current	Maximum Reverse Leakage IR @VRWM	Marking Code	
			VRWM ( V )	Min( V )					Max( V )	IT( mA )
SMAF8.5A	SMAF8.5CA	8.5	9.44	10.4	1	14.4	27.78	10	AT	WT
SMAF9.0A	SMAF9.0CA	9.0	10.0	11.1	1	15.4	25.97	5	AV	WV
SMAF10A	SMAF10CA	10	11.1	12.3	1	17.0	23.53	5	AX	WX
SMAF11A	SMAF11CA	11	12.2	13.5	1	18.2	21.98	1	AZ	WZ
SMAF12A	SMAF12CA	12	13.3	14.7	1	19.9	20.10	1	BE	XE
SMAF13A	SMAF13CA	13	14.4	15.9	1	21.5	18.60	1	BG	XG
SMAF14A	SMAF14CA	14	15.6	17.2	1	23.2	17.24	1	BK	XK
SMAF15A	SMAF15CA	15	16.7	18.5	1	24.4	16.39	1	BM	XM
SMAF16A	SMAF16CA	16	17.8	19.7	1	26.0	15.38	1	BP	XP
SMAF17A	SMAF17CA	17	18.9	20.9	1	27.6	14.49	1	BR	XR
SMAF18A	SMAF18CA	18	20.0	22.1	1	29.2	13.70	1	BT	XT
SMAF20A	SMAF20CA	20	22.2	24.5	1	32.4	12.35	1	BV	XV
SMAF22A	SMAF22CA	22	24.4	26.9	1	35.5	11.27	1	BX	XX
SMAF24A	SMAF24CA	24	26.7	29.5	1	38.9	10.28	1	BZ	XZ
SMAF26A	SMAF26CA	26	28.9	31.9	1	42.1	9.50	1	CE	YE
SMAF28A	SMAF28CA	28	31.1	34.4	1	45.4	8.81	1	CG	YG
SMAF30A	SMAF30CA	30	33.3	36.8	1	48.4	8.26	1	CK	YK
SMAF33A	SMAF33CA	33	36.7	40.6	1	53.3	7.50	1	CM	YM
SMAF36A	SMAF36CA	36	40.0	44.2	1	58.1	6.88	1	CP	YP
SMAF40A	SMAF40CA	40	44.4	49.1	1	64.5	6.20	1	CR	YR
SMAF43A	SMAF43CA	43	47.8	52.8	1	69.4	5.76	1	CT	YT
SMAF45A	SMAF45CA	45	50.0	55.3	1	72.7	5.50	1	CV	YV
SMAF48A	SMAF48CA	48	53.3	58.9	1	77.4	5.17	1	CX	YX
SMAF51A	SMAF51CA	51	56.7	62.7	1	82.4	4.85	1	CZ	YZ
SMAF54A	SMAF54CA	54	60.0	66.3	1	87.1	4.59	1	RE	ZE
SMAF58A	SMAF58CA	58	64.4	71.2	1	93.6	4.27	1	RG	ZG
SMAF60A	SMAF60CA	60	66.7	73.7	1	96.8	4.13	1	RK	ZK
SMAF64A	SMAF64CA	64	71.1	78.6	1	103	3.88	1	RM	ZM
SMAF70A	SMAF70CA	70	77.8	86.0	1	113	3.54	1	RP	ZP

Notes: For bidirectional type having  $V_{RWM}$  of 10 volts and less, the IR limit is double.

# Transient Voltage Suppression Diodes: SMAF Series

## SMD Low Profile Type 400 W

■ Electrical Characteristics ( $T_A=25^\circ\text{C}$  unless otherwise noted)

Part No. (Uni)	Part No. (Bi)	Reverse Stand off Voltage	Breakage Voltage $V_{BR}$ @ IT		Test Current	Maximum Clamping Voltage VC @ Ipp	Maximum Peak Pulse Current	Maximum Reverse Leakage IR @ $V_{RWM}$	Marking Code	
		$V_{RWM}$ ( V )	Min( V )	Max( V )	IT( mA )	VC( V )	Ipp(A)	IR( $\mu$ A)	UNI	BI
SMAF75A	SMAF75CA	75	83.3	92.1	1	121	3.31	1	RR	ZR
SMAF78A	SMAF78CA	78	86.7	95.8	1	126	3.17	1	RT	ZT
SMAF85A	SMAF85CA	85	94.4	104	1	137	2.92	1	RV	ZV
SMAF90A	SMAF90CA	90	100	111	1	146	2.74	1	RX	ZX
SMAF100A	SMAF100CA	100	111	123	1	162	2.47	1	RZ	ZZ
SMAF110A	SMAF110CA	110	122	135	1	177	2.26	1	SE	VE
SMAF120A	SMAF120CA	120	133	147	1	193	2.07	1	SG	VG
SMAF130A	SMAF130CA	130	144	159	1	209	1.91	1	SK	VK
SMAF150A	SMAF150CA	150	167	185	1	243	1.65	1	SM	VM
SMAF160A	SMAF160CA	160	178	197	1	259	1.54	1	SP	VP
SMAF170A	SMAF170CA	170	189	209	1	275	1.45	1	SR	VR

Notes: For bidirectional type having  $V_{RWM}$  of 10 volts and less, the IR limit is double.

# Transient Voltage Suppression Diodes: SMAF Series

## SMD Low Profile Type 400 W

### Rate and Characteristic Curve ( $T_A=25^\circ\text{C}$ unless otherwise noted)

FIG.1 - PULSE RATING CURVE

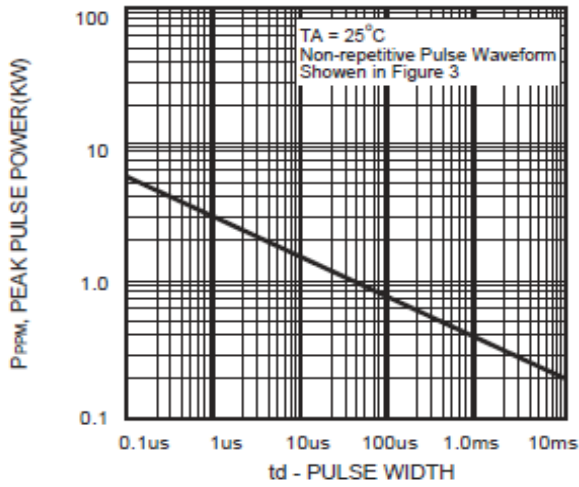


FIG.2 - PULSE DERATING CURVE

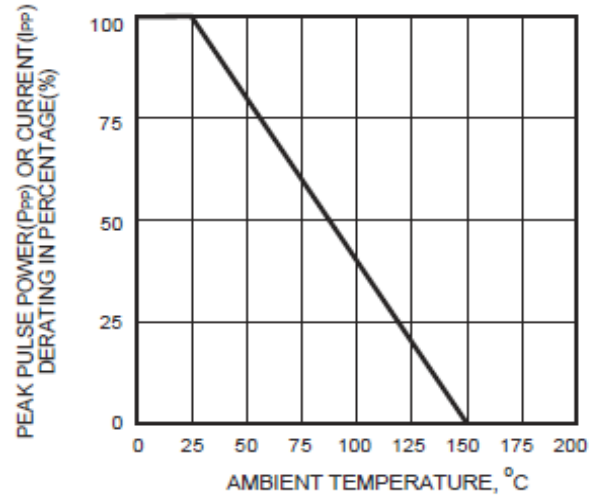


FIG.3 - PULSE WAVEFORM

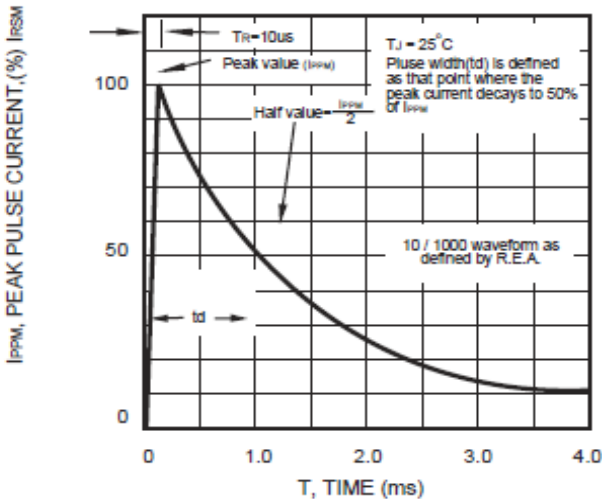


FIG.4 - TYPICAL JUNCTION CAPACITANCE

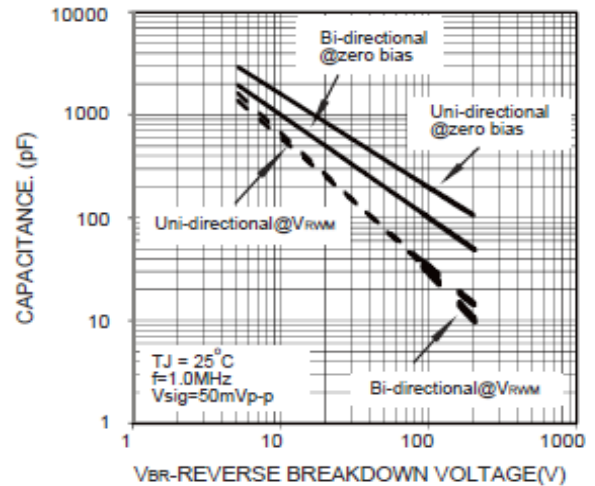


FIG.5 - STEADY STATE POWER DERATING CURVE

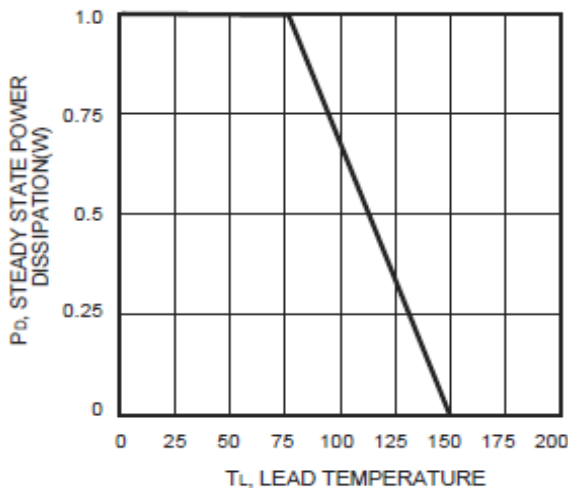
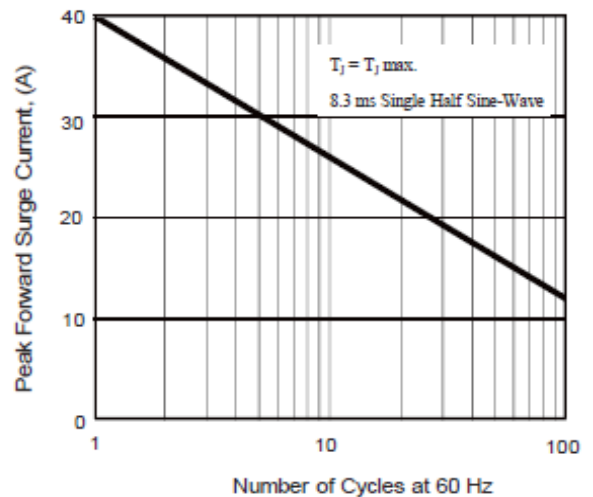
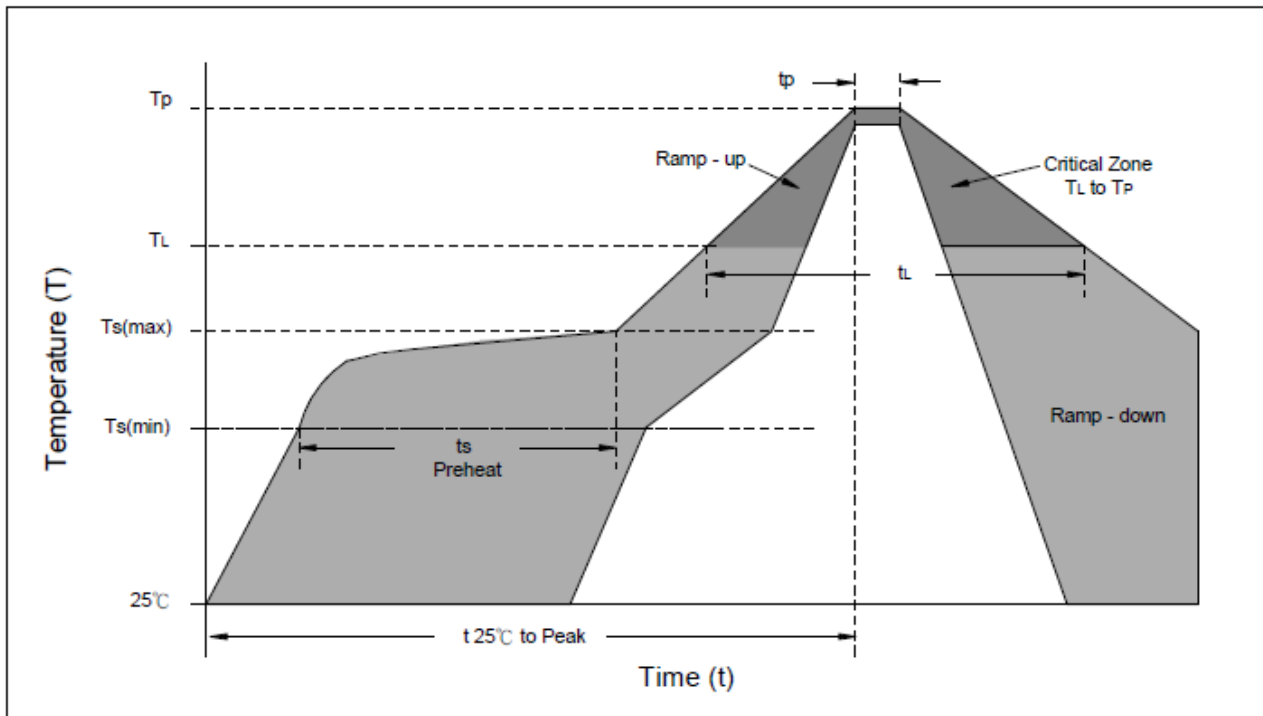


Fig. 6 - Maximum Non-Repetitive Surge Current



## SMD Low Profile Type 400 W

### ■ Soldering Recommendation

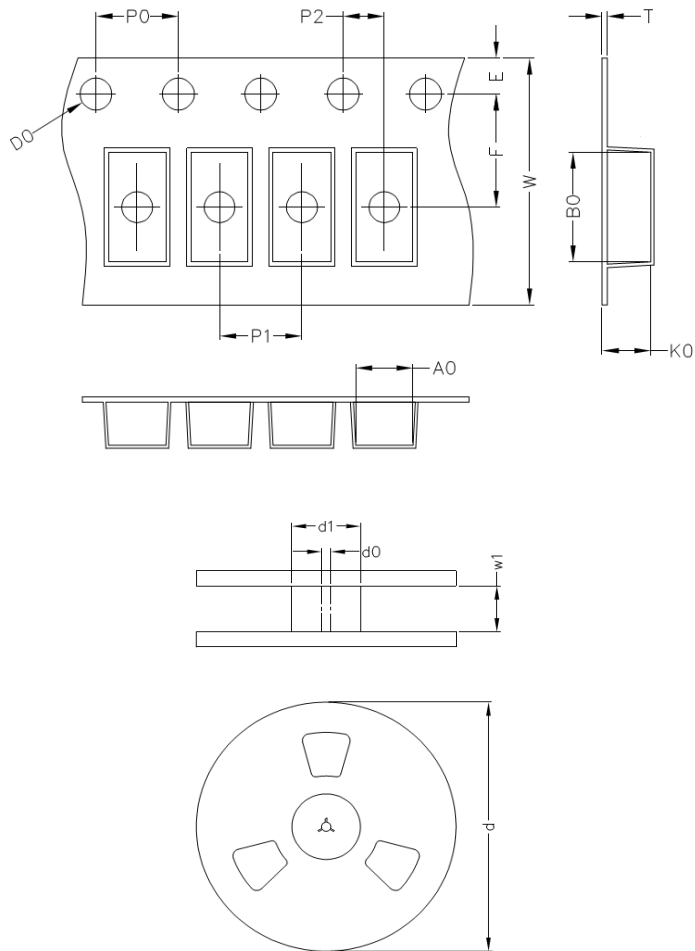


Reflow Condition	Lead-free assembly
<b>Preheat</b> -Temperature Min( $T_s$ min) -Temperature Min( $T_s$ max) -Time (min to max) ( $t_s$ )	150°C 200°C 60 – 180 seconds
<b>Average ramp up rate</b> -Temperature Liquidus ( $T_L$ ) to peak	3°C/second max
<b><math>T_s(max)</math> to <math>T_L</math></b> -Ramp-up Rate	3°C/second max.
<b>Reflow</b> -Temperature Liquidus ( $T_L$ ) -Time ( $t_L$ )	217°C 60 – 150 seconds
<b>Peak Temperature (<math>T_P</math>)</b>	260°C
<b>Time within 5°C of actual peak Temperature(<math>t_P</math>)</b>	20 – 40 seconds
<b>Ramp-down Rate</b>	6°C/second max.
<b>Time 25°C to peak Temperature(<math>T_P</math>)</b>	8 minutes max.
<b>Do not exceed</b>	260°C

# Transient Voltage Suppression Diodes: SMAF Series

## SMD Low Profile Type 400 W

### ■ Packaging



Item	Symbol	SMA-FL 單位:mm
Carrier width	A0	2.90
Carrier length	B0	5.50
Carrier depth	K0	2.10
Sprocket hole	D0	1.55
Sprocket hole position	E	1.75
Punch hole position	F	5.50
Sprocket hole pinth	P0	4.00
Carrier pinth	P1	4.00
Embossment center	P2	2.00
Tape thickness	T	0.23
Tape width	W	12.00
Reel outside diameter	d (7")	330.00
Reel inner diameter	d1	50.00
Feed hole diameter	d0	13.00
Reel inner width	w1	12.40

Notes: The tolerance of carrier tape and top cover is  $\pm 0.1\text{mm}$ , the tolerance of reel is  $\pm 2\text{mm}$

### ■ Quantity

Package Type	Reel Size	Reel
	inch	Kpcs
SMA-FL	13	5

### ■ Warehouse Storage Conditions of product

- Storage condition:
  - Storage Temperature:  $-10^{\circ}\text{C} \sim +40^{\circ}\text{C}$
  - Relative Humidity:  $\leq 75\% \text{RH}$
  - Keep away from corrosive atmosphere and sunlight.
- Period of Storage: 1 year.