

Table 1.3 (BODY and/or CASE)

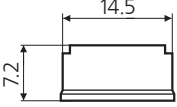
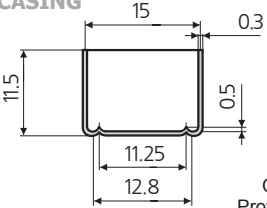
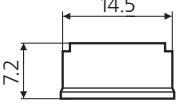
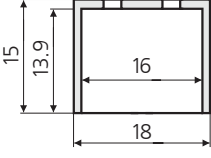
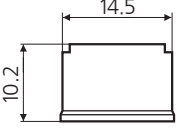
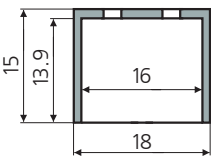
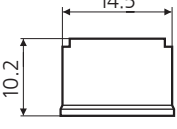
B1P	PLASTIC BODY		B3S	STEEL CASING		Only with lead wires Protection degree IP64				
	B1C	CERAMIC BODY			B4P	PLASTIC CASING		Only with lead wires and screw caps Protection degree IP64		
		B2P		PLASTIC BODY			B4C	CERAMIC CASING		Only with lead wires and screw caps Protection degree IP64
				B2C		CERAMIC BODY			B5P	PLASTIC CASING

Table 1.4 (CONTACT TYPE AND CONTACT TRANSIENT RESISTANCE VALUE)

CODE	CONTACT TYPE	CONTACT TRANSIENT RESISTANCE, mOhm
1	Normally closed (NC)	≤50
2	Normally open (NO)	≤50
3	Normally closed (NC)	≤10
4	Normally open (NO)	≤10
5	Normally closed (NC)	≤5
6	Normally open (NO)	≤5

PART ORDERING SYSTEM

TK24	TX*	MGX**	BXX	X	X±X***	X±X***
1	2	3	4	5	6	7

1	Thermostat model
2	Terminals version (select from Table 1.1)
3	Mounting version (select from Table 1.2)
4	Body version (select from Table 1.3)
5	Contact type and contact transient resistance value (select from Table 1.4)
6	Operating temperature value in °C and tolerance in ± %***
7	Reset temperature value in °C and tolerance in ± %***

Example: TK24-T01-MG04-B2C-2-60±3%-20±5%

*For wire terminals, lead wire parameters must be specified when placing an order: insulation type, cross-section area; ends type; length; etc.

**For screw cap mountings, screw parameters must be specified when placing an order.

***Tolerance in % or °C, whichever numerical value is bigger.