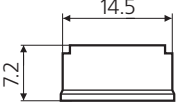
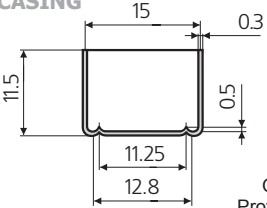
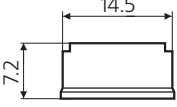
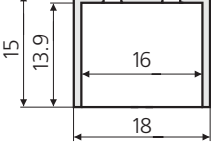
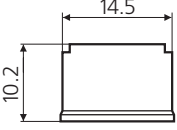
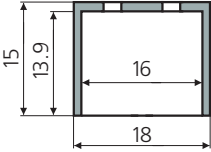
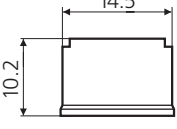
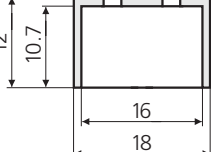


Table 1.3 (BODY and/or CASE)

<p>B1P</p>	<p>PLASTIC BODY</p> 	<p>B3S</p>	<p>STEEL CASING</p>  <p>Only with lead wires Protection degree IP64</p>
<p>B1C</p>	<p>CERAMIC BODY</p> 	<p>B4P</p>	<p>PLASTIC CASING</p>  <p>Only with lead wires and screw caps Protection degree IP64</p>
<p>B2P</p>	<p>PLASTIC BODY</p> 	<p>B4C</p>	<p>CERAMIC CASING</p>  <p>Only with lead wires and screw caps Protection degree IP64</p>
<p>B2C</p>	<p>CERAMIC BODY</p> 	<p>B5P</p>	<p>PLASTIC CASING</p>  <p>Only with lead wires Protection degree IP64</p>