

BASIC TECHNICAL DATA SPECIFIC FOR TKP

Parameter	Value
Rated voltage, V, not more	~250
Rated current, A, at power coeff. 0,95, not more	16; 10
Rated current, A, at power coeff. 0,6, not more	2,5; 1,5
Number of automatic cycles, at rated current 16 (2,5) A and power coeff. 0,95, not less than	100 000
Operating temperature, ranges, °C	0 - 40; 0 - 100; 0 - 150; 25 - 250*
Reset temperature, lower than operating temperature, on °C	5; 8; 10; 15
Tolerance of operating temperature, on °C	± 2; ± 5; ± 8; ± 10
Transient resistance, Ω, not more	0,01; 0,05
Electric strength of insulation, V, not less than	1500
Insulation resistance, MΩ, not less than	50
Turning range	270°; 306°
Heating speed, K/min	1,0

*Operating temperature range can be customized according to customers' needs

BASIC TECHNICAL DATA SPECIFIC FOR TKP (Current Sensitive)

Parameter	Value
Rated voltage, V, not more	~250
Rated current, A, at power coeff. 0,95, not more	16; 10
Rated current, A, at power coeff. 0,6, not more	2,5; 1,5
Number of automatic cycles, at rated current 16 (2,5) A and power coeff. 0,95, not less than	100 000
Operating temperature, ranges, °C	-25 - +250**
Reset temperature, lower than operating temperature, on °C	15
Tolerance of operating temperature, on °C	Low value ± 20; High value ± 10
Transient resistance, Ω, not more	0,15
Electric strength of insulation, V, not less than	1500
Insulation resistance, MΩ, not less than	50
Turning range	270°; 306°
Heating speed, K/min	1,0

**Operating temperature range can be customized according to customers' needs

Table 1.1 (CONTACT TYPE AND CONTACT TRANSIENT RESISTANCE VALUE)

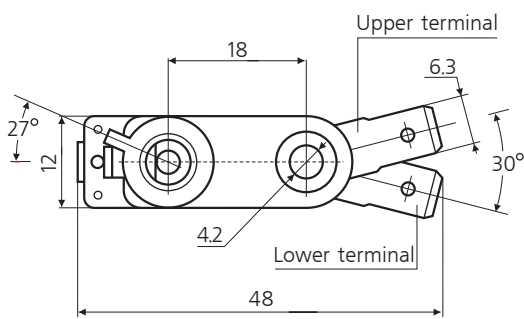
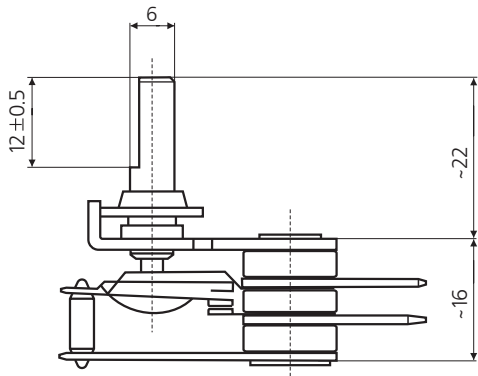
CODE	CONTACT TYPE	CONTACT TRANSIENT RESISTANCE, mOhm
1	Normally closed (NC)	≤50
2	Normally open (NO)	≤50
3	Normally closed (NC)	≤10
4	Normally open (NO)	≤10

PART ORDERING SYSTEM

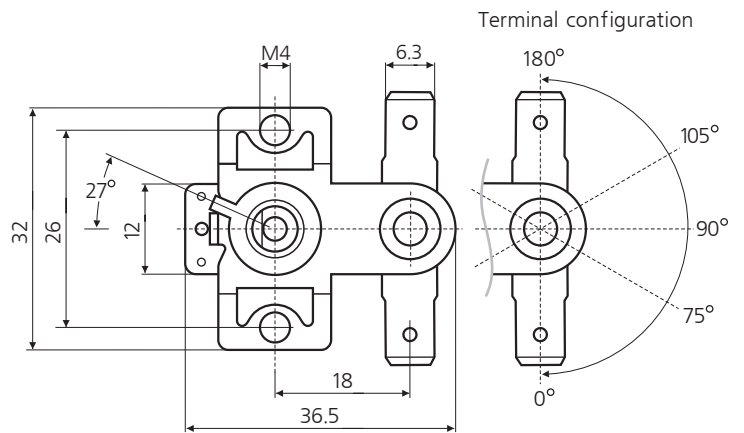
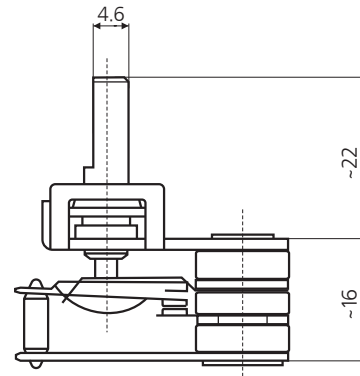
TKP	MGX	X	X±X	X
1	2	3	4	5
1	Thermostat model: TKP; TKPCS (Current Sensitive)			
2	Mounting: A - with one mounting hole; B- with three mounting holes (choose from the Drawing)			
3	Contact type and contact transient resistance value (select from Table 1.1)			
4	Operating temperature range in °C			
5	Rated current, A			

Example: TKP - MGA - 1 - 0°C - 60°C - 10

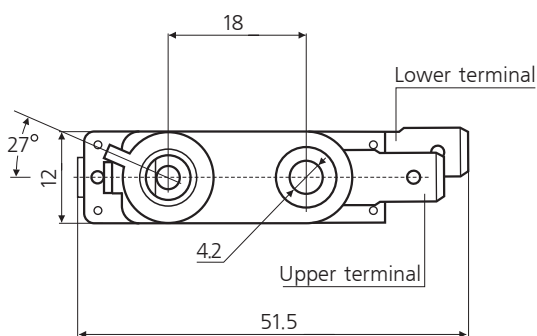
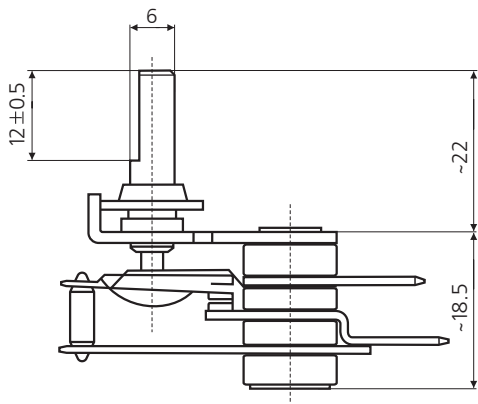
TKP-A



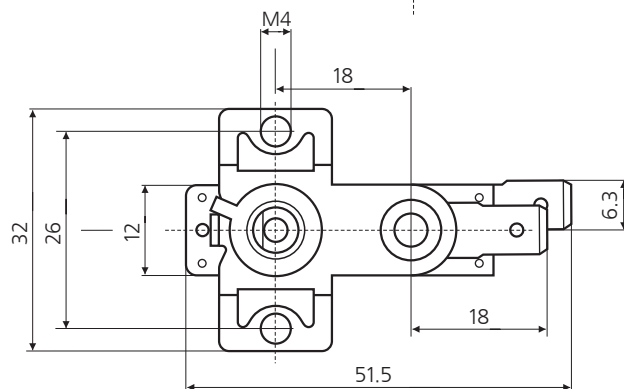
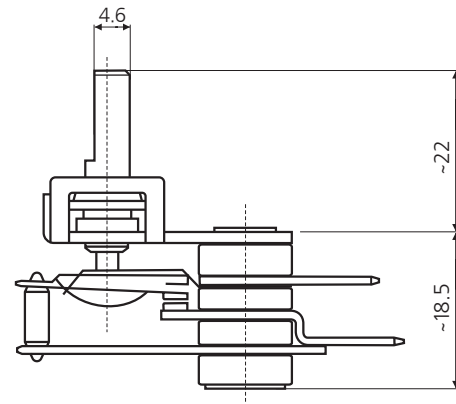
TKP-B



TKP(CS)-A



TKP(CS)-B



Note: Terminal configurations can be customized according to customers' needs