













































### F Type (Y kink lead)

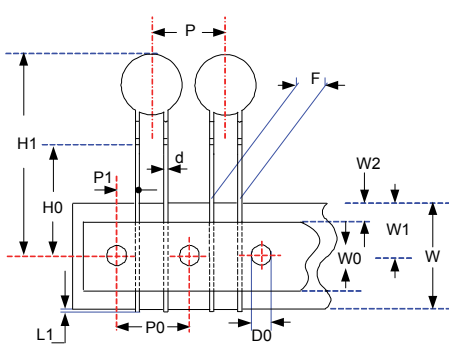


Figure A

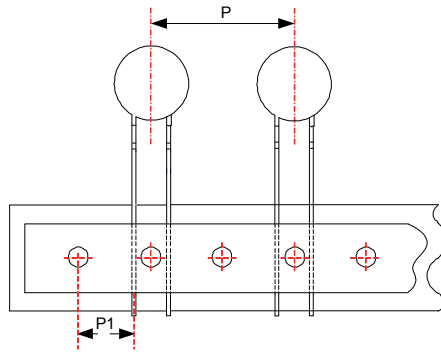


Figure B

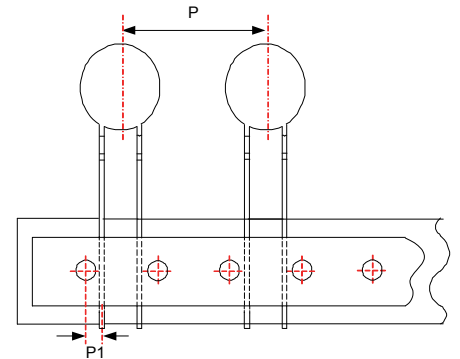
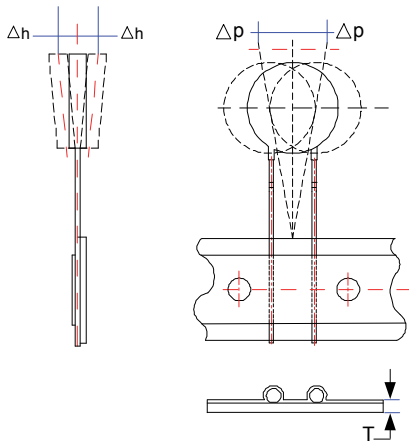


Figure C



(Unit: mm)

Taping Code	Series	P <sub>0</sub>	F	P	P <sub>1</sub>	H <sub>0</sub>	H <sub>1</sub>	d	W <sub>0</sub>	W <sub>1</sub>	W <sub>2</sub>	W	ΔP	Δh	L <sub>1</sub>	D <sub>0</sub>	T	Figure
		±0.3	±1	±1	±0.7	+2/-0	Max.	±0.02	±1	+0.75/ -0.5	Max	+1/ -0.5	Max.	Max.	Max.	±0.2	±0.2	
A (P <sub>0</sub> :12.7)	07-D	12.7	5.0	12.7	3.85	16	31	0.6	12	9	3	18	1	2	0.5	4	0.6	A
	10-D	12.7	7.5	25.4	8.95	16	36	0.8	12	9	3	18	1	2	0.5	4	0.6	B
	14-D	12.7	7.5	25.4	8.95	16	40	0.8	12	9	3	18	1	2	0.5	4	0.6	B
E (P <sub>0</sub> :15.0)	07-D	15.0	5.0	15.0	5.00	16	31	0.6	12	9	3	18	1	2	0.5	4	0.6	A
	10-D	15.0	7.5	15.0	3.75	16	36	0.8	12	9	3	18	1	2	0.5	4	0.6	A
	14-D	15.0	7.5	30.0	3.75	16	40	0.8	12	9	3	18	1	2	0.5	4	0.6	C

## Disc Type Varistor for Surge Protection (High Surge Series)

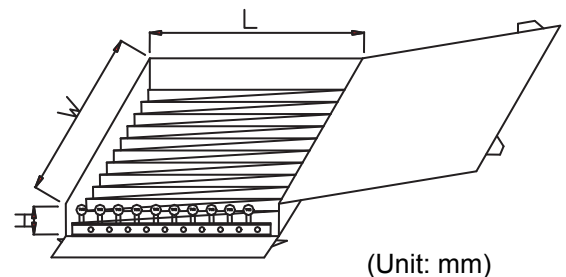
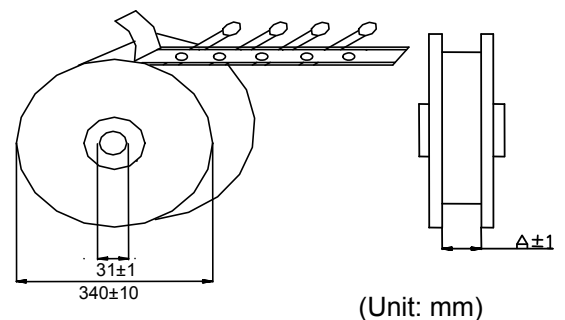
### ■ Quantity

#### ● Bulk Packing

Series	Straight Lead Type Quantity (pcs/bag)	Cut Lead Type Quantity (pcs/bag)	Kink Type Quantity (pcs/bag)
TVR07-D	250	250	200
TVR10-D	200	200	200
TVR14-D	100	100	100
TVR20-D	50	50	50

#### ● Reel Packing

Series	A (mm)	Quantity (pcs/reel)
TVR07(181~391) -D	46	1,500
TVR07(431~821) -D		1,000
TVR10(181~391) -D		1,000
TVR10 (431~561,681~911) -D		750
TVR10621-D		500
TVR10(102~112) -D		500
TVR14(181~331) -D	55	750
TVR14(361~112) -D		500
TVR20(181~681) -D		500
TVR20(751~112) -D		250



#### ● Ammo Packing

Series	Quantity (pcs/box)
TVR07(181~821) -D	1,000
TVR10(181~361) -D	750
TVR10(391~621) -D	400
TVR10(681~112) -D	300
TVR14(181~271) -D	500
TVR14(301~112) -D	250

Series	W±5	L±5	H±5
TVR07-D~ TVR14-D	348	185	60
	348	275	60

Note: The standard package for TVR20-D is bulk. For any other demand, please contact our sales person.

### ■ Warehouse Storage Conditions of Products

#### ● Storage Conditions:

1. Storage Temperature: -10°C ~ +40°C
2. Relative Humidity: ≤ 75%RH
3. Keep away from corrosive atmosphere and sunlight.

#### ● Period of Storage: 1 year