

Thermal Link SK Series

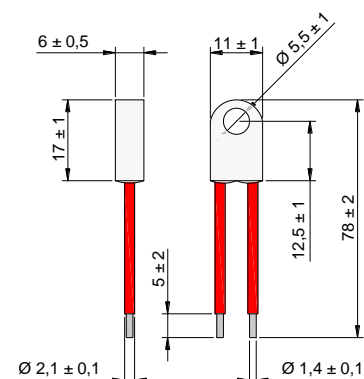
10A Series

Key Features




- Ceramic case
- Make a mounting hole
- AWG 16 lead wire is insulated
- Non-resettable
- High accuracy of function temperature
- RoHS & REACH compliant

Customization

- Other temperatures can be customized
- The length of lead wires can be customized as required
- Lead wires can make a pluggable terminals



Specification

Model	T _f	Fusing Temp.	T _h	T _m	I _r	U _r			
	(°C)	(°C)	(°C)	(°C)	(A)	(V)	CCC	TÜV	RoHS REACH
SK102	102	98±2	72	200	10	AC 250	●	●	●
SK115	115	111±2	85	200	10	AC 250	●	●	●
SK125	125	121±2	95	200	10	AC 250	●	●	●
SK130	130	125±2	100	200	10	AC 250	●	●	●
SK135	135	130±2	105	200	10	AC 250	●	●	●
SK145	145	140±2	115	200	10	AC 250	●	●	●
SK150	150	145±2	120	200	10	AC 250	●	●	●
SK160	160	155±2	130	200	10	AC 250	●	●	●
SK205	205	199±3	167	250	10	AC 250	●	●	●
SK221	221	218±2	186	250	10	AC 250	●	●	●