

Thermal Link TB Series

200A Series

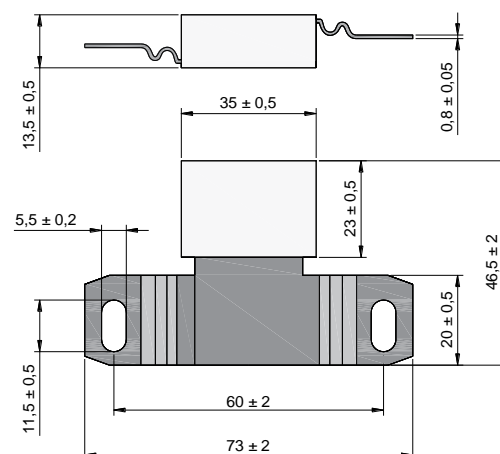
Key Features

- Rated current 200A
- Non-resettable
- High accuracy of function temperature
- High surge capacity
- Pins with mounting holes

Customization

- Other temperature can be customized
- The shape of connection leads can be customized as required

Dimensions



Specification

Model	T _r	Fusing Temp.	T _h	T _m	I _r	U _r	I _n 8/20 μs (15 Times)	I _{max} 8/20 μs (1 Time)	RoHS REACH
	(°C)	(°C)	(°C)	(°C)	(A)	(V)	(kA)	(kA)	
TB102	102	99±2	61	180	200	AC 250	100	200	●
						DC 100			●
TB115	115	112±2	74	180	200	AC 250	100	200	●
						DC 100			●
TB123	123	118±2	82	180	200	AC 250	100	200	●
						DC 100			●
TB125	125	122±2	84	180	200	AC 250	100	200	●
						DC 100			●
TB130	130	126±2	88	180	200	AC 250	100	200	●
						DC 100			●
TB136	136	132±2	94	180	200	AC 250	100	200	●
						DC 100			●
TB150	150	146±2	108	180	200	AC 250	100	200	●
						DC 100			●