

Thermal Link TS Series

100A Series

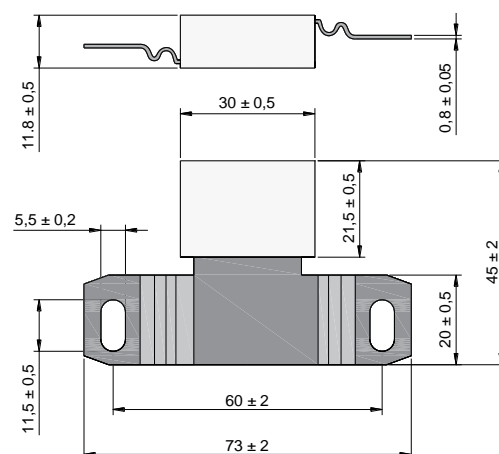
Key Features

- Rated current 100A
- Non-resettable
- High accuracy of function temperature
- High surge capacity
- Pins with mounting holes
- RoHS & REACH compliant

Customization

- Other temperature can be customized
- The shape of connection leads can be customized as required

Dimensions



Specification

Model	T _r	Fusing Temp.	T _h	T _m	I _r	U _r	I _n 8/20 μs (15 Times)	I _{max} 8/20 μs (1 Time)	UL [®]	cUL [®]	RoHS REACH
	(°C)	(°C)	(°C)	(°C)	(A)	(V)	(kA)	(kA)	UL	cUL	
TS102	102	99±2	61	180	80	AC 250	50	100			●
					100	AC 125					●
					100	DC 100					●
TS115	115	112±2	74	180	80	AC 250	50	100			●
					100	AC 125					●
					100	DC 100					●
TS123	123	118±2	82	180	80	AC 250	50	100			●
					100	AC 125					●
					100	DC 100					●
TS125	125	122±2	84	180	80	AC 250	50	100	●	●	●
					100	AC 125			●	●	●
					100	DC 100			●	●	●
TS130	130	126±2	88	180	80	AC 250	50	100			●
					100	AC 125					●
					100	DC 100					●
TS136	136	132±2	94	180	80	AC 250	50	100	●	●	●
					100	AC 125			●	●	●
					100	DC 100			●	●	●
TS150	150	146±2	108	180	80	AC 250	50	100			●
					100	AC 125					●
					100	DC 100					●