

# Gas Discharge Tube: G12D18 Series *α Therm*

## 2-Electrode $\Phi 11.8 \times T18\text{mm}$ Type

### ■ Features

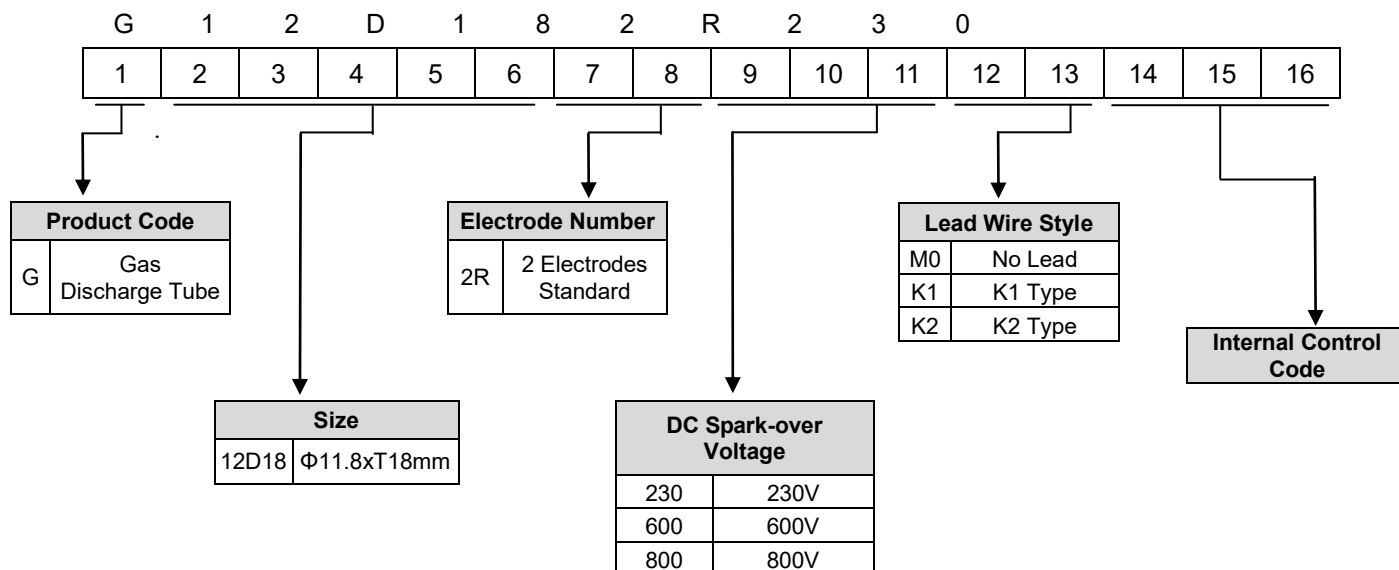
1. RoHS & HF compliant
2. Rugged ceramic-metal construction
3. DC spark-over voltage: 230~800V
4. Follow current at 50/60Hz: 50~100A ( For 300~800V)
5. Max continuous operating voltage at 50/60Hz: 95~255V ( For 230~800V)
6. Operating temperature:  $-40^{\circ}\text{C} \sim +85^{\circ}\text{C}$
7. Storage temperature:  $-40^{\circ}\text{C} \sim +115^{\circ}\text{C}$



### ■ Recommended Applications

1. Power system
2. Industrial equipment
3. SPD module

### ■ Part Number Code



# Gas Discharge Tube: G12D18 Series *α Therm*

## 2-Electrode Φ11.8 x T18mm Type

### ■ Characteristics

Part No.	DC Spark-over Voltage	Max. Impulse Breakdown Voltage	Max. Impulse Discharge Current (8/20μs)		Impulse Life (10/1000μs)	Normal Alternating Discharge Current	Maximum Impulse Breakdown Voltage	Follow Current	Max Continuous Operating Voltage	Minimum Insulation Resistance	Maximum Breakdown Time	Safety Approvals
	100V/S	1KV/μs	1 time	10 times	300A	50Hz, 1Sec	1.2/50us 6KV	50/60Hz	50/60Hz	(GΩ)	(ns)	UL 1449/cUL
	(V)	(V)	(KA)		(times)	(A)	(V)	(A)	(V)			
G12D182R230□□	184-276	700	80	40	300	40	1100	/	95	1	100	√
G12D182R250□□	200-300	700					1100	/	95			√
G12D182R300□□	240-360	800					1100	50	130			√
G12D182R350□□	280-420	800					1100	50	150			√
G12D182R420□□	336-504	800					1200	50	175			√
G12D182R470□□	376-564	1000					1300	100	220			√
G12D182R600□□	480-720	1200					1400	100	255			√
G12D182R700□□	560-840	1300					1500	100	255			√
G12D182R800□□	640-960	1400					1500	100	255			√

Note 1: The first □□ is style of lead wire.

Note 2: UL 1449 4th File No: E314979.

Note 3: Insulation resistance test conditions:

DC Spark-over Voltage	DC Measuring Voltage
230-350V	100V
420-800V	250V

# Gas Discharge Tube: G12D18 Series *α Therm*

## 2-Electrode $\Phi 11.8 \times T18\text{mm}$ Type

### ■ Dimension

(Unit: mm)

Figure 1

M0 : No Lead

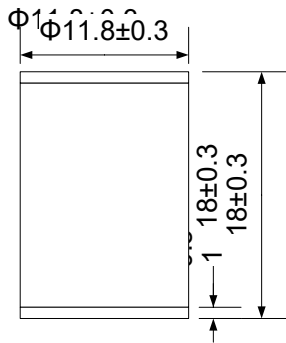


Figure 2

K1 : K1 Type

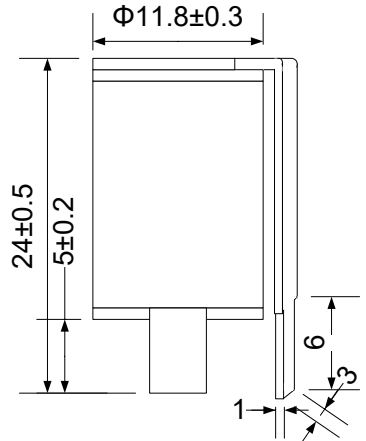
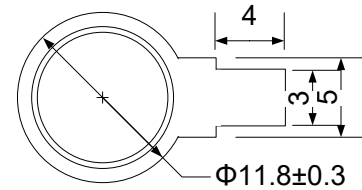
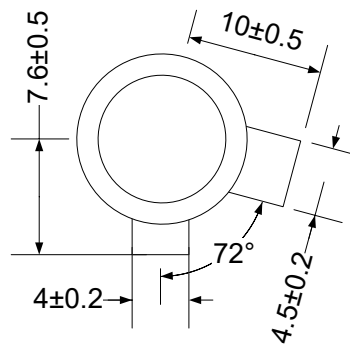
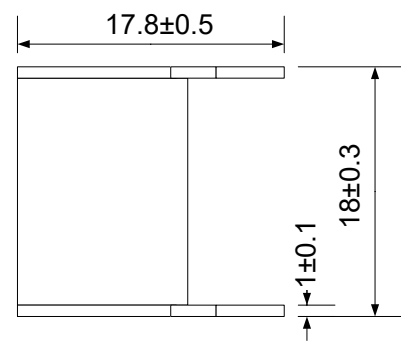


Figure 3

K2 : K2 Type



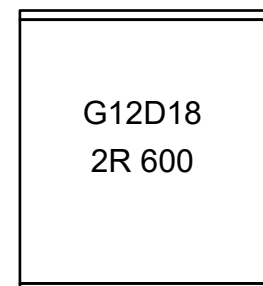
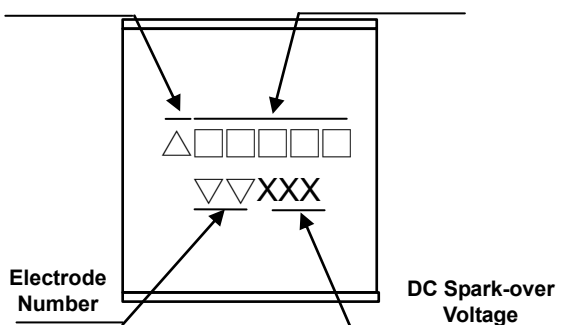
Note: tolerance of 3,4,5 is  $\pm 0.2\text{mm}$

### ■ Marking

Product Code

Size

Example:



# Gas Discharge Tube: G12D18 Series *α Therm*

## 2-Electrode $\Phi 11.8$ x T18mm Type

---

### ■ Packaging

- Bulk

### ■ Warehouse Storage Conditions of Products

- Storage Conditions:
  1. Storage Temperature:  $-10^{\circ}\text{C} \sim +40^{\circ}\text{C}$
  2. Relative Humidity:  $\leq 75\% \text{RH}$
  3. Keep away from corrosive atmosphere and sunlight.
- Period of Storage: 1 year