

BP Series

Short-Stroke Touch Switches(Washable)



SPECIFICATIONS

CIRCUIT: SPST

FUNCTION: Momentary

CONATE RATING: 50 mA @ 12V DC.

OPERATING FORCE: 350 gf ±100gf.

TOTAL TRAVEL: 0.25mm ± 0.10mm

MECHANICAL LIFE: 100,000 make-and-break cycles.

CONTACT RESISTANCE: 100mΩ max. initial

INSULATION RESISTANCE: 100MΩ min.

DIELECTRIC STRENGTH: 250 V RMS @ sea level.

OPERATING TEMPERATURE: -25C to70C.

MATERIALS

CASE: Glass filled Nylon 6/6(UL 94-V0).

HOUSING: Glass filled Nylon 6/6(UL 94-V0).

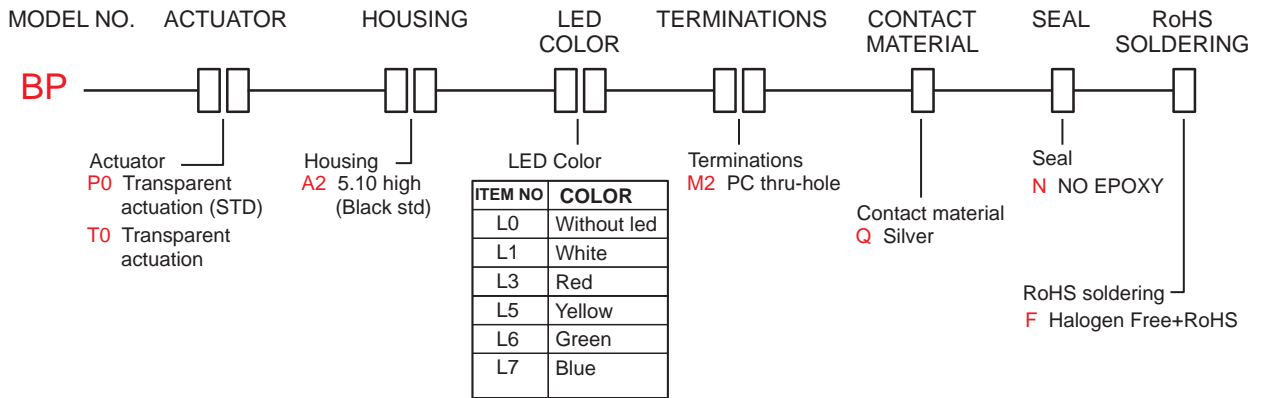
ACTUATOR: PC.

TERMINAL/CONTACT: Brass,Silver plated.

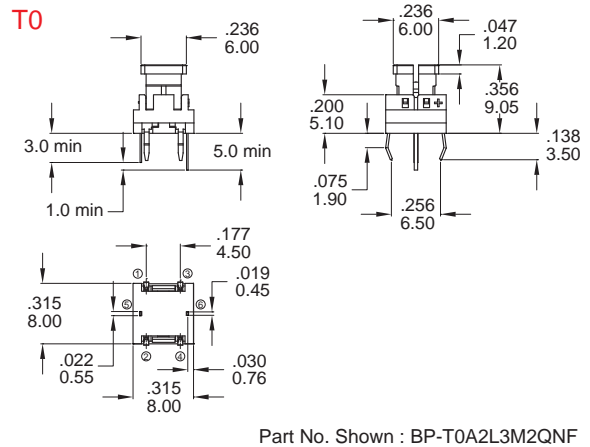
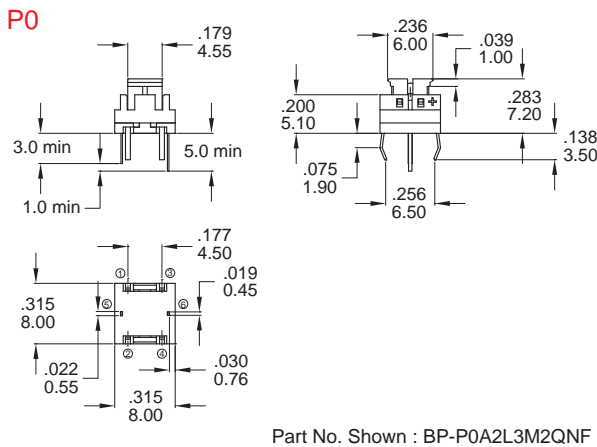
IP 67
ACCORDING TO
EN 60529:1991+A1:2001
IEC 60529:2001



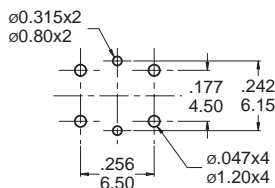
HOW TO ORDER



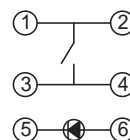
ACTUATOR TYPE



P.C.B MOUNTING / CIRCUIT



PCB Mounting



CIRCUIT